

# 9173

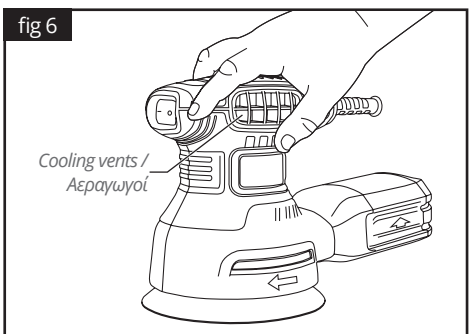
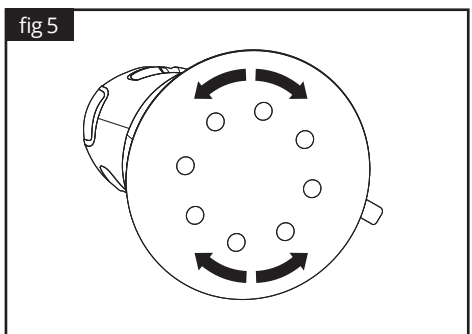
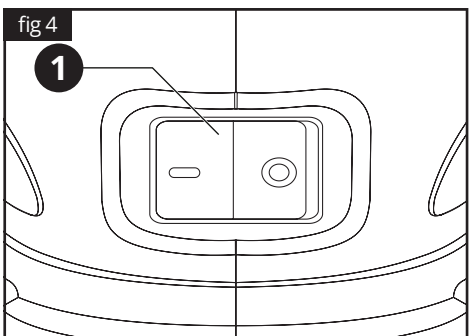
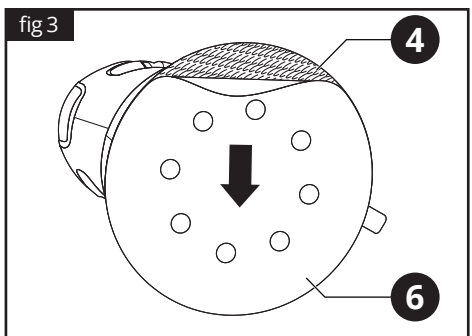
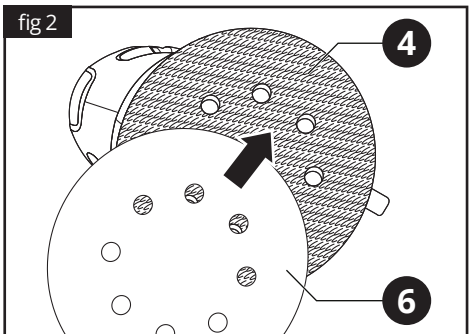
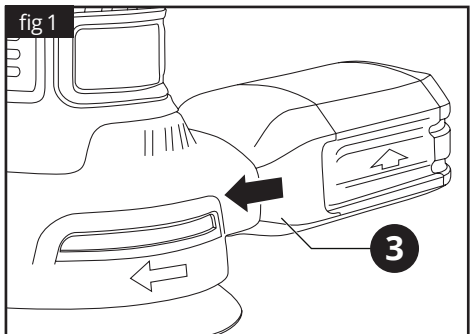
## ORBITAL ROTARY SANDER Ø125

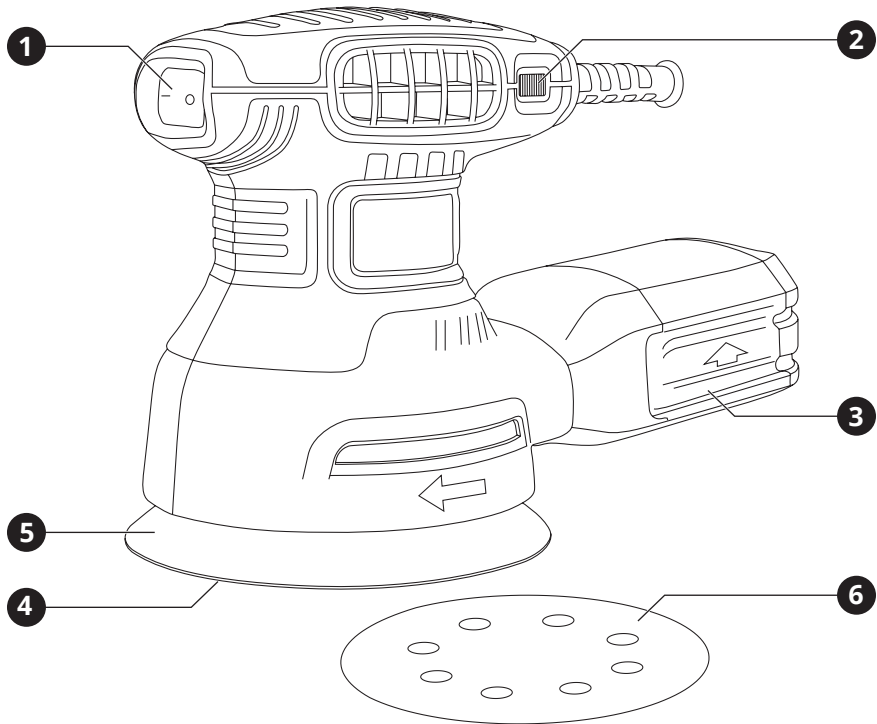
ΤΡΙΒΕΙΟ ΕΚΚΕΝΤΡΟ ΠΕΡΙΣΤΡΟΦΙΚΟ Ø125



Operation manual  
Εγχειρίδιο χρήσης

EN | GR





## 1. Overview

### Tool description

- |                                  |                                |
|----------------------------------|--------------------------------|
| <b>1</b> ON / OFF switch (0 / 1) | <b>4</b> Velcro sanding system |
| <b>2</b> Speed adjustment wheel  | <b>5</b> Velcro base           |
| <b>3</b> Dust canister           | <b>6</b> Velcro sanding disc   |

## 2. General safety regulations

### **⚠ WARNING:**

**Disconnect the plug from the power source before making any assembly, adjustments or changing accessories.** Such preventative safety measures reduce the risk of starting the tool accidentally.

**Read carefully and understand all instructions before using the tool.**

*When using power tools, the following instructions must be followed to prevent hazards such as electric shock, fire and/or serious injury.*

*The vibration and noise emission levels may vary from the level specified during actual use, depending on how the power tool is used and the type of work piece.*

### Work area safety

- ▶ Keep work area clean and well lit. Cluttered benches and dark areas invite accidents.
- ▶ Do not operate power tools in explosive atmospheres, such as in the presence of flammable liquids, gases or dust. Power tools create sparks which may ignite the dust or fumes.
- ▶ Keep children and bystanders away while operating a power tool. Distractions can cause you to lose control.

### Electrical safety

- ▶ Power tool plugs must match the outlet. Never modify the plug in any way. Do not use any adapter plugs with earthed (grounded) power tools. Unmodified plugs and matching outlets will reduce the risk of electric shock.
- ▶ Avoid body contact with earthed or grounded surfaces such as pipes, radiators, ranges and refrigerators. There is an increased risk of electric shock if your body is earthed or grounded.
- ▶ Do not expose power tools to rain or wet conditions. Water entering a power tool will increase the risk of electric shock.
- ▶ Do not abuse the cord. Never use the cord for carrying, pulling or unplugging the power tool. Keep cord away from heat, oil, sharp edges or moving parts. Damaged or entangled cords increase the risk of electric shock.

- ▶ When operating a power tool outdoors, use an extension cord suitable for outdoor use. Use of a cord for outdoor use reduces the risk of electric shock.

### Personal safety

- ▶ Stay alert, watch what you are doing and use common sense when operating a power tool. Do not use a power tool while you are tired or under the influence of drugs, alcohol or medication. A moment of distraction while operating power tools may result in serious personal injury.
- ▶ Use safety equipment. Always wear eye protection. Safety equipment such as dust mask, non-skid safety shoes, hard hat, or hearing protection used for appropriate conditions will reduce personal injuries.
- ▶ Avoid accidental starting. Ensure the switch is in the off-position before plugging in. Carrying power tools with your finger on the switch or plugging in power tools that have the switch on invites accidents.
- ▶ Remove any adjusting key or wrench before turning the power tool ON. A wrench or a key left attached to a rotating part of the power tool may result in personal injury.
- ▶ Do not overreach. Keep proper footing and balance at all times. This enables better control of the power tool in unexpected situations.
- ▶ Dress properly. Do not wear loose clothing or jewellery. Keep your hair, clothing and gloves away from moving parts. Loose clothes, jewellery or long hair can be caught in moving parts.
- ▶ If devices are provided for the connection of dust extraction and collection facilities, ensure these are connected and properly used. Use of these devices can reduce dust related hazards.

### Power tool use and care

- ▶ Do not force the power tool. Use the correct power tool for your application. The correct power tool will do the job better and safer for the purpose for which it was designed.
- ▶ Do not use the power tool if the switch does not turn it ON and OFF. Any power tool that cannot be controlled with the switch is

dangerous and must be repaired.

- ▶ Disconnect the plug from the power source before making any adjustments, changing accessories or storing power tools. Such preventative safety measures reduce the risk of starting the power tool accidentally.
- ▶ Store idle power tools out of the reach of children and do not allow persons unfamiliar with the power tool or these instructions to operate the power tool. Power tools are dangerous in the hands of untrained users.
- ▶ Maintain power tools, check for misalignment or binding of moving parts, breakage of parts and any other condition that may affect the power tools' operation. If damaged, have the power tool repaired before use. Many accidents are caused by poorly maintained power tools.
- ▶ Keep cutting tools sharp and clean. Properly maintained cutting tools with sharp cutting edges are less likely to bind and are easier to control.
- ▶ Use the power tool, accessories and tool bits etc., in accordance with these instructions and in the manner intended for the particular type of power tool, taking into account the working conditions and the work to be performed. Use of the power tool for operations different from intended could result in a hazardous situation.

## Service

- ▶ Have your power tool serviced by a qualified repair person using only genuine replacement parts. This will ensure that the safety of the power tool is maintained.
- ▶ Follow instruction for lubricating and changing accessories.
- ▶ Keep handles dry, clean and free from oil and grease.

## 3. Specific safety regulations

DO NOT let comfort or familiarity with product (gained from repeated use) replace strict adherence to electric power tools' safety rules. If you use this tool unsafely or incorrectly, you can suffer serious personal injury.

- 1 Wear ear protectors. Exposure to noise can cause hearing loss.
- 2 Use auxiliary handles supplied with the tool. Loss of control can cause personal injury.
- 3 Hold power tools by insulated gripping surfaces when performing an operation where the cutting tool may contact hidden wiring or its own cord. Contact with a "live" wire will make exposed metal parts of the tool "live" and shock the operator.
- 4 Wear a hard hat (safety helmet), safety glasses and/or face shield. Ordinary eye or sun glasses are NOT safety glasses. It is also highly recommended that you wear a dust mask and thickly padded gloves.
- 5 Be sure the bit is secured in place before operation.
- 6 Under normal operation, the tool is designed to produce vibration. The screws can come loose easily, causing a breakdown or accident. Check tightness of screws carefully before operation.
- 7 In cold weather or when the tool has not been used for a long time, let the tool warm up for a while by operating it under no load. This will loosen up the lubrication.
- 8 Always be sure you have a firm footing. Be sure no one is below when using the tool in high locations.
- 9 Hold the tool firmly with both hands.
- 10 Keep hands away from moving parts.
- 11 Do not leave the tool running. Operate the tool only when hand-held.
- 12 Do not point the tool at any one in the area when operating. Parts could fly out and injure someone seriously.
- 13 Do not touch parts close to the bit immediately after operation; they may be extremely hot and could burn your skin.
- 14 Some material contains chemicals which may be toxic. Take caution to prevent dust inhalation and skin contact. Follow material supplier safety data.

## Additional safety regulations for sanders

- When you can, use a vacuum cleaner to

collect dust. Remove dust and other wastes without polluting the environment.

- Be very careful when sanding lead-based paints.
- All those entering the workplace must wear a mask specially designed to protect them from dust and fumes from lead paints.
- Children and pregnant women should not enter the workplace.
- You should not eat, drink or smoke at the workplace.
- Take appropriate measures to protect your hearing.
- Never use the machine to sand magnesium surfaces.
- If your tool is equipped with a dust bag, empty it frequently and after completion of sanding. Be extremely careful of dust disposal, materials in fine particle form may be explosive. Do not throw sanding dust on an open fire. Spontaneous combustion, may in time, result from mixture of oil or water with dust particles.
- Do not use sanding paper intended for larger backing pads. Larger sanding paper will extend beyond the backing pad causing snagging, tearing of the paper or kick-back. Extra paper extending beyond the backing pad can also cause serious lacerations.
- Clamp or secure workpiece when sanding.
- Clamping the workpiece prevents it from being ejected from under the sander and leaves both hands to control the tool.
- Avoid damage that can be caused by screws, nails and other elements in your workpiece remove them before you start working.
- Always keep the cord away from moving parts of the tool; direct the cord to the rear away from the tool.
- This tool is not suitable for wet sanding.
- Do not work materials containing asbestos (asbestos is considered carcinogenic).
- When sanding metal, sparks are generated; do not use dust bag and keep other persons and combustible material from work area.
- Do not touch the moving sanding paper.

- Do not continue to use worn, torn or heavily clogged sanding papers.

## SAVE THESE INSTRUCTIONS

### **⚠ WARNING:**

*Misuse or failure to follow the safety rules stated in this instruction manual may cause serious personal injury.*

## 4. Functional description and specifications

### Intended use

The palm sander is ideal for grinding wood, metal, plastic, solid and coated materials. Tools that have electronic speed control are also suitable for polishing. Not suitable for use as a fixed tool (bench, floor).

### **⚠ WARNING:**

*If the replacement of the supply cord is necessary, it has to be done by a professional to avoid a safety hazard.*

Tool	9173
Power supply	230 V ~ 50 Hz
Power input	350W
No load speed	6000 - 13000 rpm
Backing pad size	Ø 125 mm
Tool weight	1.3 kg

### Assembly

### **⚠ WARNING:**

*Before plugging in the tool, always make sure the switch trigger actuates properly and returns to the OFF position.*

### Installing and removing the dust canister

The dust canister **3** allows the dust collection from the workplace. Place the canister on the dust exit nozzle with the arrow on the transparent case facing upwards, using steady force to lock it in place (fig 1). To remove the dust canister, follow the procedure in reversed order.

**NOTE:**

For maximum efficiency, the dust canister should be emptied frequently during operation.

The collection of the dust will only work if the sandpaper has holes that line up with the 8 dust collection holes in the Backing Pad.

**Installing and removing sanding paper**

Line up and then firmly press the velcro sanding disc 6 onto the velcro sanding system 4 (fig 2).

**WARNING:**

Push firmly the sanding disc onto the sanding base so it can be evenly positioned, with the velcro locking system.

**NOTE:**

A bad placement of the sanding base that is not properly aligned will reduce sanding performance.

To remove the velcro sanding disc, just peel the disc away from the velcro sanding system (fig 3).

**Operation****Switching ON and OFF**

To turn on the machine press the ON / OFF switch (0 / 1) 1 so it reaches position 1 (fig 4). To turn the machine off, press the 0 / 1 switch so it reaches position 0.

**Cleaning the dust canister**

Remove the dust canister 3 by pulling it out of the outlet. Carefully shake the dust bag assembly with the end cap opening pointing downward to remove the sanding dust.

**Speed adjustment**

The tool has 6 speeds so you can use the appropriate speed for the material you are sanding. The optimal speed setting for each application depends largely on personal preference. To change speed, turn left or right the speed adjustment wheel 2.

In general, we use a higher speed on harder materials and a lower speed on softer materials. Material removal rate increases as speed increases.

**WARNING:**

The tool must be turned off before switching speed.

**Sanding operation**

Clamp or otherwise secure your workpiece to prevent it from moving under the sander while being sanded. Secure the workpiece in a vice if possible.

**WARNING:**

Any improperly secured work object can be thrown at the operator and cause injury.

Place the sander on the workpiece so the complete sanding disc surface is in contact with the workpiece. Turn the sander ON by pressing on the left hand side of the ON / OFF switch. Move the sander slowly over the workpiece making successive passes in parallel lines, circles or crosswise. Do not apply excessive force on the tool while working with it. Because the random orbital motion of the sanding disc moves in tiny circles, it is not necessary to move the sander in the same direction for successive passes (fig 5).

After the sanding process is completed, switch off the sander by setting the switch to the 0 (OFF) position. Wait until the sanding disc stops completely before removing it from the workpiece.

**WARNING:**

Your sander should only be turned ON when the entire surface of the sanding disc is in contact with the workpiece. Failure to follow this sanding procedure could result in a loose sanding disc, which could result in possible injury.

Hold the sander with one hand on the hand grip on top of the sander (fig 6). Be careful NOT to cover the cooling vents with your hand. Covering the cooling vents could cause the motor to be damaged by overheating.

**5. Maintenance**

Correct and regular cleaning will improve the safety and extend the lifespan of the device.

**For safe and proper working, always keep the tool and ventilation slots clean.**

The tool may be cleaned most effectively with compressed dry air or with a soft cloth moistened

with soapy water. **Always wear safety goggles when cleaning tools with compressed air.**

**Certain cleaning agents and solvents damage plastic parts.** Some of these are: gasoline, carbon tetrachloride, chlorinated cleaning solvents, ammonia and household detergents that contain ammonia.

The brushes and commutator in your tool have been engineered for many hours of dependable service. To maintain peak efficiency of the motor, we recommend every two to six months the brushes be examined.

Store the tool, operating instructions and where necessary the accessories in the original packaging. In this way you will always have all the information and parts ready to hand.

#### **⚠ WARNING:**

*Turn the device off, disconnect it from the mains and wait until it cools down before cleaning or maintenance to avoid electric shock or burn.*



**Wear ear defenders**



**Wear safety goggles**



**Wear a dust mask**

## 6. Warranty

This tool has been checked by the manufacturer. From the date of purchase by the final consumer, a two year warranty for **amateur use** covers any faulty material and manufacturing. The receipt or invoice of purchase needs to be displayed in case of a repair that is covered by the warranty. For possible faults during the warranty period, you should address your issue to the retail shop from which the purchase was made.

### Terms of warranty

The warranty is valid only when:

- The tool has been used properly and for the purpose for which it was purchased.

- The tool presents a problem that is due to faulty material and manufacturing.
- Incapability of the tool to perform according to the technical specs provided.

Damages are not covered by the warranty that are due to causes such as:

- Wear due to improper use.
- Partial or total disassembly. The tool's shell must be disassembled only by personnel authorised by the official distributor.
- Damage due to overloading.
- Usage of incorrect or incompatible accessory.
- Bad maintenance from the operator or any other third party.
- Wear that was induced by external factors or rogue particles (dust, debris etc.)
- Wear due to non compliance with the instructions in this manual.

If, during the warranty period, there is a fault that can not be repaired from the authorised service department, the tool will be replaced without any extra cost.

## 7. Repair / Servicing

In case there is a need for a repair after the warranty period has expired, we will provide the best possible attention to repair the tool successfully.

## 8. Disposal



Do not dispose of electrical machines as unsorted municipal waste, use separate collection facilities.

Contact your local government collection systems for information regarding the collection systems available.

If electrical machines are disposed of in landfills or dumps, hazardous substances can leak into the groundwater and get into the food chain, damaging your health and well-being. When replacing old machines with new ones, the retailer will be happy to take back your old machine for disposal.



## 9. Declaration of Conformity

### Authorized Representative

#### PAPADEAS S.A.

4-6 Iroon 1912 St., 13671, Acharne, Greece

Herewith declares that:

The **Electric Orbital Sander** with **CODE: 9173** and distinctive title: **FL123** under the brand **KRAUSMANN** (Description: ander, GS/CE/EMC standard, 230V~50Hz, 350W, no-load speed:6000-13000rpm, 125mm, 1.8m cable, VDE plug, with 1 sanding paper, 1 dust box, in color box packing), is designed in conformity with provision of the Directives 2006/42/EC and 2014/30/EUC and the following manufacturing standards: EN62841-1:2015, EN 62841-2-4:2014, EN55014-1:2017/A11:2020, EN IEC 55014-1:2021, EN55014-2:2015, EN IEC 55014-2:2021, EN IEC 61000-3-2:2019, EN 61000-3-3:2013/A1:2019.

Year in which "CE" marking was affixed:

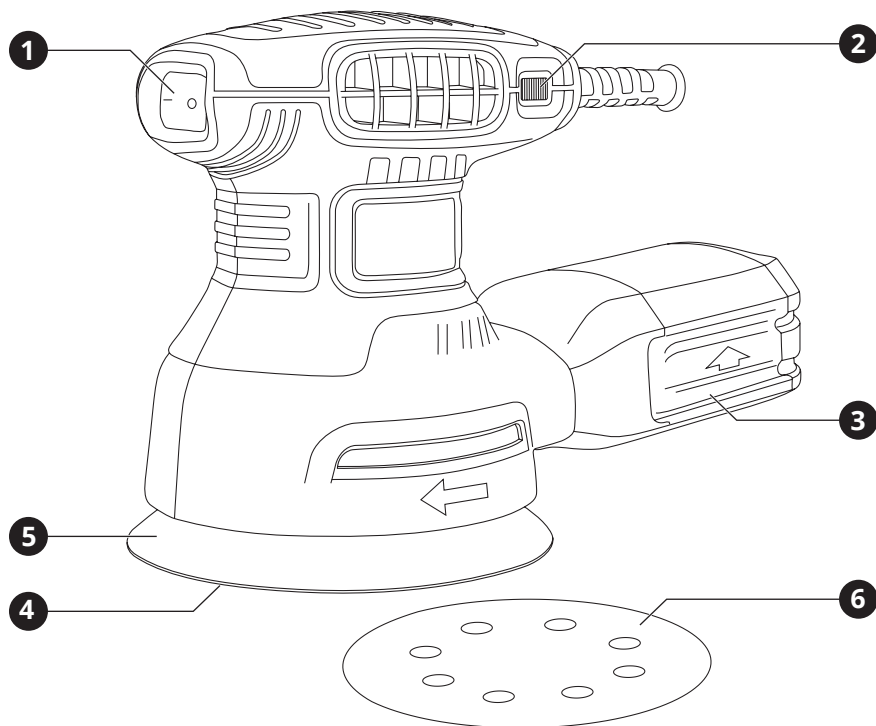
Machineyear 2021

Date: December 23th, 2021



*\* Accessories and contents may change from the production factory without any warnings, in that case the company bears no responsibility.*

## ΕΛΛΗΝΙΚΑ | GR



## 1. Επισκόπηση

### Περιγραφή Εργαλείου

- |                              |                           |
|------------------------------|---------------------------|
| 1 Διακόπτης ON / OFF (0 / 1) | 4 Σύστημα λείανσης velcro |
| 2 Ρυθμιστής στροφών          | 5 Βάση velcro             |
| 3 Δοχείο συγκέντρωσης σκόνης | 6 Δίσκος λείανσης velcro  |

## 2. Γενικές οδηγίες ασφαλείας

### ⚠ ΠΡΟΣΟΧΗ:

**Αποσυνδέστε το φως από την πρίζα πριν προχωρήσετε σε συναρμολόγηση, παραμετροποιήσεις ή αλλαγή αξεσουάρ.**

*Τέτοια προληπτικά μέτρα ασφαλείας μειώνουν τον κίνδυνο ακούσιας εκκίνησης του εργαλείου.*

### **Διαβάστε προσεκτικά και τηρήστε αυτές τις οδηγίες πριν τη χρήση του εργαλείου.**

*Όταν χρησιμοποιείτε ηλεκτρικά εργαλεία, οι ακόλουθες οδηγίες πρέπει να τηρούνται για τη πρόληψη κινδύνου ηλεκτροπληξίας, προσωπικού τραυματισμού και πυρκαγιάς.*

*Τα επίπεδα εκπομπών κραδασμών και θορύβου ενδέχεται να διαφέρουν από το επίπεδο που καθορίζεται κατά την πραγματική χρήση, ανάλογα με τον τρόπο με τον οποίο χρησιμοποιείται το ηλεκτρικό εργαλείο και τον τύπο του τεμαχίου εργασίας.*

### Ασφάλεια χώρου εργασίας

- ▶ Διατηρείτε το χώρο εργασίας καθαρό και καλά φωτισμένο. Οι βρώμικοι χώροι και οι σκοτεινοί πάγκοι εργασίας κρύβουν κινδύνους.
- ▶ Μη λειτουργείτε ηλεκτρικά εργαλεία στη βροχή ή σε υγρά μέρη. Μη χρησιμοποιείτε τα ηλεκτρικά εργαλεία κοντά σε εύφλεκτα υγρά ή αέρια. Τα ηλεκτρικά εργαλεία δημιουργούν σπινθήρες που μπορεί να αναφλέξουν τη σκόνη ή τις αναθυμιάσεις.
- ▶ Κρατήστε τους επισκέπτες και τα παιδιά μακριά ενώ λειτουργείτε ένα ηλεκτρικό εργαλείο. Κάθε απόσπαση της προσοχής σας μπορεί να προκαλέσει απώλεια ελέγχου του εργαλείου και να προκαλέσει ατύχημα.

### Ασφάλεια ηλεκτρισμού

- ▶ Τα φως των ηλεκτρικών εργαλείων πρέπει να ταιριάζουν με τις πρίζες. Ποτέ μην τροποποιείτε την πρίζα με οποιοδήποτε τρόπο. Μη χρησιμοποιείτε μετατροπείς πρίζας με γειωμένα ηλεκτρικά εργαλεία. Οι πρίζες που δεν έχουν τροποποιηθεί και που ταιριάζουν στο φως θα μειώσουν τον κίνδυνο ηλεκτροπληξίας.
- ▶ Αποφεύγετε σωματική επαφή με γειωμένες

επιφάνειες όπως σωλήνες, καλοριφέρ, ψυγεία. Υπάρχει αυξημένος κίνδυνος ηλεκτροπληξίας αν το σώμα σας είναι γειωμένο.

- ▶ Μην εκθέτετε ηλεκτρικά εργαλεία σε συνθήκες βροχής ή σε υγρά. Το νερό που εισέρχεται σε ένα ηλεκτρικό εργαλείο θα αυξήσει τον κίνδυνο ηλεκτροπληξίας.
- ▶ Μην κακομεταχειρίζεστε το καλώδιο. Ποτέ μη χρησιμοποιείτε το καλώδιο για να μεταφέρετε το εργαλείο ή για να το αποσυνδέσετε από την πρίζα τραβώντας το. Φυλάξτε το καλώδιο μακριά από τη ζέστη, το λάδι, κοφτερές επιφάνειες και κινούμενα μέρη. Τα φθαρμένα ή μπερδεμένα καλώδια αυξάνουν τον κίνδυνο ηλεκτροπληξίας.
- ▶ Όταν χρησιμοποιείτε το εργαλείο σε εξωτερικούς χώρους, να χρησιμοποιείτε μόνο προεκτάσεις καλωδίων που είναι κατάλληλες για αντίστοιχη χρήση. Η χρήση ενός τέτοιου καλωδίου μειώνει τον κίνδυνο ηλεκτροπληξίας.

### Προσωπική ασφάλεια

- ▶ Να είστε σε επαγρύπνηση, να προσέχετε τι κάνετε και να χρησιμοποιείτε τη κοινή λογική όταν χρησιμοποιείτε ένα ηλεκτρικό εργαλείο. Μη χρησιμοποιείτε το εργαλείο όταν είστε κουρασμένος ή υπό την επήρεια ναρκωτικών, αλκοόλ ή φαρμακευτικής αγωγής. Μια στιγμή απροσεξίας μπορεί να προκαλέσει σοβαρό προσωπικό τραυματισμό.
- ▶ Χρησιμοποιείτε εξοπλισμό ασφαλείας. Πάντα να φοράτε προστασία για τα μάτια σας. Η χρήση κατάλληλου εξοπλισμού ασφαλείας για τις εκάστοτε συνθήκες εργασίας όπως μάσκα σκόνης, αντιολισθητικά παπούτσια ασφαλείας, κράνος προστασίας ή ωτοασπίδες θα μειώσει τον κίνδυνο προσωπικού τραυματισμού.
- ▶ Αποφύγετε ακούσια εκκίνηση του εργαλείου. Βεβαιωθείτε ότι ο διακόπτης είναι στη θέση OFF πριν το συνδέσετε στην πρίζα. Η μεταφορά εργαλείων που είναι συνδεδεμένα στην πρίζα με το δάκτυλο στο διακόπτη μπορεί να προκαλέσει ατύχημα.
- ▶ Αφαιρέστε τα εργαλεία και κλειδιά

ρύθμισης πριν εκκινήσετε το εργαλείο. Αν έχει ξεχαστεί ένα τέτοιο εξάρτημα σε ένα περιστρεφόμενο μέρος του εργαλείου, μπορεί να προκαλέσει προσωπικό τραυματισμό.

- ▶ Μην υπερβάλλετε τεντώνοντας τα σωματικά σας μέρη. Διατηρείστε τη σωστή θέση των ποδιών σας και την ισορροπία σας ανά πάσα στιγμή. Έτσι θα έχετε καλύτερο έλεγχο του ηλεκτρικού εργαλείου σε αναπάντεχες καταστάσεις.
- ▶ Ντυθείτε κατάλληλα. Μη φοράτε χαλαρά ρούχα ή κοσμήματα. Κρατείστε τα μαλλιά, ρούχα και γάντια σας μακριά από κινούμενα μέρη. Τα χαλαρά ρούχα, κοσμήματα ή μακριά μαλλιά ενδέχεται να πιαστούν σε κινούμενα μέρη.
- ▶ Αν παρέχονται εξαρτήματα για εξαγωγή και περισυλλογή σκόνης, βεβαιωθείτε ότι είναι συνδεδεμένα και χρησιμοποιούνται σωστά. Η χρήση τέτοιων εξαρτημάτων μπορεί να μειώσουν κινδύνους που σχετίζονται με τη σκόνη.

## Χρήση και φροντίδα του ηλεκτρικού εργαλείου

- ▶ Μη ζορίζετε το ηλεκτρικό εργαλείο. Χρησιμοποιείτε το κατάλληλο ηλεκτρικό εργαλείο για την κάθε ανάγκη. Το κατάλληλο εργαλείο θα φέρει εις πέρας την εργασία με μεγαλύτερη επιτυχία και ασφάλεια, όταν χρησιμοποιείται για το σκοπό που έχει κατασκευαστεί.
- ▶ Μη χρησιμοποιείτε το ηλεκτρικό εργαλείο αν ο διακόπτης δε γυρνάει στη θέση ON και OFF. Οποιοδήποτε ηλεκτρικό εργαλείο που δεν μπορεί να λειτουργήσει με το διακόπτη είναι επικίνδυνο και πρέπει να επισκευαστεί.
- ▶ Να βγάζετε το φως από την πρίζα πριν προχωρήσετε σε αλλαγές των αξεσουάρ ή σε αποθήκευση. Τέτοια προληπτικά μέτρα ασφαλείας μειώνουν τον κίνδυνο ακούσιας εκκίνησης του εργαλείου.
- ▶ Αποθηκεύστε τα εκτός λειτουργίας ηλεκτρικά εργαλεία σε χώρο που δεν είναι προσιτός σε παιδιά και μην επιτρέψετε να τα λειτουργήσουν άτομα που δεν έχουν την κατάλληλη γνώση ή δεν έχουν διαβάσει το εγχειρίδιο χρήσης. Τα ηλεκτρικά

εργαλεία είναι επικίνδυνα στα χέρια μη εκπαιδευμένων ατόμων.

- ▶ Συντηρείστε τα ηλεκτρικά εργαλεία, ελέγξτε την ευθυγράμμιση ή εμπλοκή των κινούμενων τμημάτων, τυχόν ρωγμές τμημάτων, σύνδεση και κάθε άλλη συνθήκη που μπορεί να το καταστήσει επικίνδυνο και να επηρεάσει τη λειτουργία του. Αν έχει υποστεί ζημιά, πρέπει να επισκευαστεί κατάλληλα από ένα εξουσιοδοτημένο σέρβις πριν χρησιμοποιηθεί. Πολλά ατυχήματα μπορούν να συμβούν από ηλεκτρικά εργαλεία που δεν έχουν συντηρηθεί κατάλληλα.
- ▶ Διατηρείστε τα εργαλεία κοφτερά και καθαρά. Τα εργαλεία κοπής που είναι σωστά διατηρημένα και έχουν κοφτερές άκρες είναι λιγότερο πιθανό να χαλάσουν και είναι πιο εύκολα στον έλεγχο.
- ▶ Χρησιμοποιείτε το ηλεκτρικό εργαλείο, τα αξεσουάρ, τα εξαρτήματα κ.λπ. σύμφωνα με αυτές τις οδηγίες και με τον κατάλληλο τρόπο για το συγκεκριμένο τύπο του ηλεκτρικού εργαλείου, λαμβάνοντας υπόψη τις συνθήκες και την εργασία που πρέπει να πραγματοποιηθεί. Η χρήση του εργαλείου για σκοπούς διαφορετικούς από αυτούς για τους οποίους προορίζεται μπορεί να προκαλέσουν μια επικίνδυνη κατάσταση.

## Επισκευή / Σέρβις

- ▶ Δώστε το εργαλείο σας να επισκευαστεί από έναν εξειδικευμένο ειδικό, χρησιμοποιώντας μόνο γνήσια ανταλλακτικά. Αυτό θα εξασφαλίσει τη διατήρηση της ασφαλείας του ηλεκτρικού εργαλείου.
- ▶ Ακολουθείστε τις οδηγίες για τη λίπανση και την αλλαγή των αξεσουάρ.
- ▶ Διατηρείστε τις λαβές στεγνές, καθαρές και χωρίς την ύπαρξη λαδιού και γράσου.

## 3. Ειδικές οδηγίες ασφαλείας

ΜΗΝ αφήνετε την άνεση και την εξοικείωση με το προϊόν (που αποκτήθηκε από εκτεταμένη χρήση) να αντικαταστήσει την αυστηρή συμμόρφωση με τους κανόνες ασφαλείας των ηλεκτρικών

εργαλείων. Αν χρησιμοποιείτε αυτό το εργαλείο με λάθος τρόπο και χωρίς ασφάλεια, μπορεί να υποστείτε κάποιο σοβαρό προσωπικό τραυματισμό.

- 1 Na φοράτε προστατευτικά αυτιών. Η έκθεση σε θόρυβο μπορεί να προκαλέσει απώλεια ακοής.
- 2 Na χρησιμοποιείτε το εργαλείο από τη λαβή του. Η απώλεια ελέγχου μπορεί να προκαλέσει προσωπικό τραυματισμό.
- 3 Όταν πραγματοποιείτε εργασίες όπου το εργαλείο μπορεί να έρθει σε επαφή με κρυφή καλωδίωση ή με το ίδιο το καλώδιο, κρατείστε το εργαλείο με μονωμένες επιφάνειες που παρέχουν τριβή. Η επαφή με ένα γυμνό καλώδιο που φέρει ρεύμα θα καταστήσει ηλεκτροφόρα τα εκτεθειμένα μεταλλικά μέρη του εργαλείου και θα προκαλέσει ηλεκτροπληξία στο χειριστή.
- 4 Na φοράτε κράνος προστασίας, γυαλιά προστασίας και / ή μάσκα προσώπου. Τα κανονικά γυαλιά ή γυαλιά ηλίου ΔΕΝ αποτελούν είδη ασφαλείας. Επίσης συνίσταται να φοράτε μάσκα σκόνης και χοντρά μονωμένα γάντια.
- 5 Βεβαιωθείτε ότι τα αξεσουάρ είναι ασφαλισμένα στη θέση τους πριν ξεκινήσετε τη λειτουργία του εργαλείου.
- 6 Υπό κανονικές συνθήκες, το εργαλείο είναι σχεδιασμένο να παράγει δονήσεις. Οι βίδες μπορούν εύκολα να χαλαρώσουν, προκαλώντας ζημιά ή ατύχημα. Να ελέγχετε προσεκτικά ότι οι βίδες είναι σφιγμένες πριν τη χρήση.
- 7 Σε κρύο καιρό ή όταν το εργαλείο δεν έχει χρησιμοποιηθεί για αρκετό καιρό, αφήστε το σε ζεσταθεί για λίγο λειτουργώντας το σε συνθήκες μηδενικής πίεσης. Με αυτό τον τρόπο θα χαλαρώσει η λίπανση.
- 8 Πάντα να είστε σίγουροι ότι πατάτε γερά στα πόδια σας. Σιγουρευτείτε ότι δεν υπάρχει κάποιος από κάτω όταν χρησιμοποιείτε το εργαλείο σε υψηλές τοποθεσίες.
- 9 Κρατείστε το εργαλείο γερά και με τα δυο σας χέρια.
- 10 Κρατείστε τα χέρια σας μακριά από κινούμενα μέρη.
- 11 Μην αφήνετε το εργαλείο σε λειτουργία. Να

το λειτουργείτε μόνο όταν το έχετε στα χέρια σας.

- 12 Μην σημαδεύετε το εργαλείο προς οποιονδήποτε στην περιοχή λειτουργίας. Κάποιο εξάρτημα ίσως αποκολληθεί με αποτέλεσμα να προκαλέσει σοβαρό τραυματισμό.
- 13 Μην αγγίζετε τα εξαρτήματα κοντά στα κινούμενα μέρη αμέσως μετά τη λειτουργία. Μπορεί τα μέρη του εργαλείου να είναι πολύ ζεστά και να προκαλέσουν εγκαύματα.
- 14 Κάποια υλικά περιέχουν χημικά που μπορεί να είναι τοξικά. Λάβετε μέτρα για να αποφύγετε εισπνοή σκόνης και επαφή με το δέρμα. Ακολουθείστε τις οδηγίες ασφαλείας του παρόχου των υλικών.

## Πρόσθετες οδηγίες ασφαλείας ειδικά για τριβεία

- Όταν μπορείτε, χρησιμοποιείστε ηλεκτρική σκούπα για την περισυλλογή της σκόνης. Απομακρύνετε τη σκόνη και τα άλλα απόβλητα χωρίς να ρυπαίνετε το περιβάλλον.
- Να είστε πολύ προσεκτικοί όταν τρίβετε βαφές που έχουν βάση το μόλυβδο.
- Όλοι όσοι μπαίνουν στο χώρο εργασίας πρέπει να φορούν μάσκα ειδικά σχεδιασμένη για την προστασία από τη σκόνη και τις αναθυμιάσεις των βαφών μολύβδου.
- Παιδιά και έγκυες γυναίκες δεν πρέπει να μπαίνουν στο χώρο εργασίας.
- Δεν πρέπει να τρώτε, να πίνετε ή να καπνίζετε στο χώρο εργασίας.
- Λάβετε τα κατάλληλα μέτρα για την προστασία της ακοής.
- Ποτέ μη χρησιμοποιείτε το μηχάνημα για να τρίψετε επιφάνειες μαγνησίου.
- Αν το εργαλείο είναι εξοπλισμένο με σακούλα / δοχείο περισυλλογής σκόνης, αδειάστε το συχνά και έπειτα από την ολοκλήρωση της εργασίας. Να είστε ιδιαίτερα προσεκτικοί στην απόρριψη σκόνης, τα υλικά σε μορφή λεπτών σωματιδίων μπορεί να είναι εκρηκτικά. Μη ρίχνετε σκόνη λείανσης σε ανοιχτή φωτιά. Η αυθόρμητη καύση μπορεί να προκύψει από μίγμα ελαίου ή νερού με σωματίδια σκόνης.

- Μη χρησιμοποιείτε χαρτί λείανσης που προορίζεται για μεγαλύτερη βάση λείανσης. Το μεγαλύτερο χαρτί λείανσης θα εκτείνεται πέρα από τη βάση λείανσης προκαλώντας σκασίματα, σχίσμο του χαρτιού ή ανακρούσεις. Το επιπλέον χαρτί που εκτείνεται πέρα από τη βάση λείανσης μπορεί επίσης να προκαλέσει σοβαρούς τραυματισμούς.
- Σφίξτε ή ασφαλίστε το αντικείμενο εργασίας όταν δουλεύετε σε αυτό. Η σύσφιξη του αντικειμένου εργασίας εμποδίζει την ακούσια μετακίνηση του κάτω από το τριβείο και επιτρέπει τη χρήση και των δύο χεριών για καλύτερο έλεγχο του εργαλείου.
- Αποφύγετε ζημιές που μπορεί να προκληθούν από βίδες, καρφιά και άλλα στοιχεία στο αντικείμενο εργασίας σας. Να τα αφαιρέσετε πριν αρχίσετε να εργάζεστε.
- Πάντα να κρατάτε το καλώδιο μακριά από τα κινούμενα μέρη του εργαλείου. Στρέψτε το καλώδιο προς τα πίσω, μακριά από το εργαλείο.
- Αυτό το εργαλείο δεν είναι κατάλληλο για υγρή λείανση.
- Μη χρησιμοποιείτε υλικά που περιέχουν αμίαντο (ο αμίαντος θεωρείται καρκινογόνος).
- Κατά την λείανση μετάλλου παράγονται σπινθήρες. Μη χρησιμοποιείτε τη σακούλα σκόνης και κρατάτε άλλα άτομα και εύφλεκτα υλικά μακριά από την περιοχή εργασίας.
- Μην αγγίζετε το κινούμενο χαρτί λείανσης.
- Μη συνεχίζετε να χρησιμοποιείτε φθαρμένα, σχισμένα ή παραμορφωμένα χαρτιά λείανσης.

## ΑΠΟΘΗΚΕΥΣΤΕ ΑΥΤΟ ΤΟ ΕΓΧΕΙΡΙΔΙΟ ΧΡΗΣΗΣ

### ⚠ ΠΡΟΣΟΧΗ:

Κατάχρηση ή μη τήρηση των οδηγιών ασφαλείας που αναγράφονται σε αυτό το εγχειρίδιο χρήσης μπορεί να προκαλέσουν σοβαρό προσωπικό τραυματισμό.

## 4. Περιγραφή λειτουργιών και προδιαγραφών

### Προβλεπόμενη χρήση

Το έκκεντρο περιστροφικό τριβείο είναι ιδανικό για λείανση ξύλου, μετάλλου, πλαστικού, μασίφ και υλικών με επιστρώσεις. Τα εργαλεία που διαθέτουν ηλεκτρονική ρύθμιση στροφών είναι κατάλληλα και για στίλβωση. Δεν είναι κατάλληλο για χρήση ως σταθερό εργαλείο (πτάγκου, δαπέδου).

### ⚠ ΠΡΟΣΟΧΗ:

Αν είναι απαραίτητη η αντικατάσταση του καλωδίου παροχής ρεύματος, τότε πρέπει να γίνει από έναν επαγγελματία ώστε να αποφευχθεί κίνδυνος τραυματισμού.

Εργαλείο	9173
Τάση λειτουργίας	230 V ~ 50 Hz
Ισχύς εισόδου	350W
Ταχύτητα χωρίς φορτίο	6000 - 13000 rpm
Μέγεθος βάσης λείανσης	Ø 125 mm
Βάρος εργαλείου	1.3 kg

### Συναρμολόγηση

### ⚠ ΠΡΟΣΟΧΗ:

Πριν συνδέσετε το εργαλείο στην πρίζα, βεβαιωθείτε ότι ο μηχανισμός του διακόπτη στρέφεται σωστά και ότι μπορεί να επιστρέψει στη θέση OFF.

### Τοποθέτηση και αφαίρεση του δοχείου συγκέντρωσης σκόνης

Το δοχείο συγκέντρωσης σκόνης **3** επιτρέπει τη συγκέντρωση της σκόνης από την επιφάνεια εργασίας. Τοποθετήστε το εξάρτημα στο στόμιο συγκέντρωσης της σκόνης με το βελάκι στη διάφανη θήκη να έχει φορά προς τα πάνω, χρησιμοποιώντας σταθερή πίεση ώστε να κλειδώσει στη θέση του (fig 1). Για αφαίρεση του δοχείου, προχωρήστε με την αντίστροφη σειρά.

### i ΣΗΜΕΙΩΣΗ:

Για μέγιστη απόδοση, το δοχείο συγκέντρωσης σκόνης θα πρέπει να εκκενώνεται συχνά κατά τη διάρκεια της λειτουργίας.

**ΣΗΜΕΙΩΣΗ:**

Η συλλογή της σκόνης θα λειτουργήσει μόνο εάν το χαρτί λείανσης έχει τρύπες που ευθυγραμμίζονται με τις 8 οπές συλλογής σκόνης στη βάση λείανσης.

**Τοποθέτηση και αφαίρεση χαρτιών λείανσης**

Ευθυγραμμίστε και στη συνέχεια πιέστε τον κυκλικό δίσκο λείανσης velcro **6** στο σύστημα λείανσης velcro **4** (fig 2).

**ΠΡΟΣΟΧΗ:**

Πιέστε τον δίσκο λείανσης πάνω στη βάση λείανσης ώστε να πατήσει ομοίωμα και να είναι σταθερός, με το σύστημα κλειδώματος velcro.

**ΣΗΜΕΙΩΣΗ:**

Μια κακή και μη ευθυγραμμισμένη στερέωση του δίσκου λείανσης θα μειώσει την απόδοση λείανσης.

Για να αφαιρέσετε τον δίσκο λείανσης velcro, απλά τραβήξτε τον απαλά από το σύστημα λείανσης velcro (fig 3).

**Λειτουργία****Ενεργοποίηση και απενεργοποίηση του εργαλείου**

Για να θέσετε σε λειτουργία το εργαλείο πατήστε το διακόπτη λειτουργίας ON / OFF (0 / 1) **1** ώστε να έρθει στη θέση 1 (fig 4).

Για να το θέσετε εκτός λειτουργίας, πατήστε τον διακόπτη λειτουργίας 0 / 1 ώστε να έρθει στη θέση 0.

**Ρύθμιση στροφών**

Το τριβείο διαθέτει 6 ταχύτητες για να χρησιμοποιείτε την κατάλληλη ταχύτητα για το υλικό που τρίβετε. Η βέλτιστη ρύθμιση ταχύτητας για κάθε εφαρμογή εξαρτάται σε μεγάλο βαθμό από τις προσωπικές προτιμήσεις. Για να αλλάξετε ταχύτητα γυρίστε αριστερά ή δεξιά το ρυθμιστή στροφών **2**.

Γενικά, χρησιμοποιούμε υψηλότερη ταχύτητα σε σκληρότερα υλικά και χαμηλότερη ταχύτητα σε πιο μαλακά υλικά.

Ο ρυθμός αφαίρεσης υλικού αυξάνεται όσο αυξάνεται η ταχύτητα.

**ΠΡΟΣΟΧΗ:**

Το εργαλείο πρέπει να είναι απενεργοποιημένο πριν από την αλλαγή ταχύτητας.

**Καθαρισμός του δοχείου συγκέντρωσης σκόνης**

Αφαιρέστε το δοχείο συγκέντρωσης σκόνης **3** τραβώντας το από το στόμιο εξόδου.

Ανακινήστε το προσεκτικά με το άνοιγμα του πώματος στραμμένο προς τα κάτω για να αφαιρέσετε τη σκόνη λείανσης.

**Επιλογή δίσκου λείανσης**

Βεβαιωθείτε ότι έχετε επιλέξει το σωστό μέγεθος και τύπο του δίσκου λείανσης για το τριβείο. Ο σωστός δίσκος λείανσης θα πρέπει να:

- Έχει διάμετρο  $\varnothing 125\text{mm}$ .
- Έχει μια σειρά από οκτώ τρύπες 3/8" που ταιριάζουν με το σχέδιο των τρυπών στη βάση του τριβείου.
- Έχει υποστήριξη για χρήση με το σύστημα προσάρτησης δίσκου με velcro.

Η επιλογή του νούμερου και τύπου χαρτιού λείανσης είναι εξαιρετικά σημαντική για την επίτευξη υψηλής ποιότητας λειαντικού φινιρίσματος. Το οξειδίο του αλουμινίου, το καρβίδιο του πυριτίου και άλλα συνθετικά λειαντικά είναι τα καλύτερα για απαιτητικές λειάνσεις. Τα φυσικά λειαντικά όπως το πυριτόλιθο και ο γρανίτης είναι πολύ μαλακά για οικονομική χρήση σε απαιτητικές λειάνσεις.

Σε γενικές γραμμές, το μικρό νούμερο του χαρτιού λείανσης (χοντρός κόκκος) θα απομακρύνει το μεγαλύτερο μέρος του υλικού. Το μεγαλύτερο νούμερο (λεπτός κόκκος) θα παράγει το καλύτερο φινιρίσμα σε όλες τις εργασίες λείανσης. Η κατάσταση της επιφάνειας που πρόκειται να λειανθεί θα καθορίσει ποια επιλογή νούμερου χαρτιού λείανσης θα κάνει την καλύτερη δουλειά.

**ΠΡΟΣΟΧΗ:**

Κάθε μη σωστά ασφαλισμένο αντικείμενο εργασίας μπορεί να πεταχτεί προς τον χειριστή και να προκληθεί τραυματισμός.

**Εργασία λείανσης**

Σφίξτε ή ασφαλίστε το αντικείμενο εργασίας σας (ιδανικά σε μια μέγγενη) για να αποφύγετε

τη μετακίνηση του κάτω από το τριβείο κατά τη λείανση.

Τοποθετείτε το τριβείο στο αντικείμενο εργασίας έτσι ώστε η πλήρης επιφάνεια δίσκου λείανσης να έρχεται σε επαφή. Ενεργοποιήστε το τριβείο πιέζοντας το διακόπτη ON / OFF. Μετακινήστε το τριβείο αργά πάνω στο αντικείμενο εργασίας, κάνοντας διαδοχικά περάσματα σε παράλληλες γραμμές, κύκλους ή εγκάρσιες κινήσεις. Μην ασκείτε υπερβολικά μεγάλη πίεση στο εργαλείο κατά τη διάρκεια της εργασίας. Επειδή η τυχαία τροχιακή κίνηση του δίσκου λείανσης κινείται σε μικροσκοπικούς κύκλους, δεν είναι απαραίτητο να μετακινείτε το τριβείο στην ίδια κατεύθυνση για διαδοχικά περάσματα (fig 5).

Μετά την ολοκλήρωση της διαδικασίας λείανσης, απενεργοποιήστε το τριβείο θέτοντας το διακόπτη στη θέση 0 (OFF). Περιμένετε μέχρι ο δίσκος λείανσης να σταματήσει τελείως πριν τον απομακρύνετε από το τεμάχιο εργασίας.

### ⚠ ΠΡΟΣΟΧΗ:

*Το τριβείο πρέπει να ενεργοποιηθεί μόνο όταν ολόκληρη η επιφάνεια του δίσκου λείανσης βρίσκεται σε επαφή με το αντικείμενο εργασίας. Εάν δεν ακολουθήσετε αυτή τη διαδικασία, μπορεί να προκληθεί χαλαρός δίσκος λείανσης, ο οποίος μπορεί να προκαλέσει τραυματισμό.*

Κρατήστε το τριβείο με το ένα χέρι στη λαβή χειρός στην κορυφή του τριβείου (fig 6). Προσέξτε να μην καλύψετε τους αεραγωγούς με το χέρι σας. Η κάλυψη των αεραγωγών θα μπορούσε να προκαλέσει ζημιά στον κινητήρα λόγω υπερθέρμανσης.

## 5. Συντήρηση

Ο σωστός και τακτικός καθαρισμός θα βελτιώσει την ασφάλεια και θα επεκτείνει τη διάρκεια ζωής του εργαλείου.

**Για ασφαλή και σωστή εργασία, πάντα να κρατάτε καθαρές τις υποδοχές εξαερισμού και το ίδιο το εργαλείο σε καλή κατάσταση.**

Το εργαλείο μπορεί να καθαριστεί αποτελεσματικά με ξηρό συμπιεσμένο αέρα ή με ένα μαλακό πανί βρεγμένο με σαπουνόνερο. **Πάντα να φοράτε προστατευτικά ματιών όταν καθαρίζετε τα εργαλεία με συμπιεσμένο αέρα.**

**Ορισμένα καθαριστικά μέσα και διαλύτες μπορεί να προκαλέσουν βλάβη σε πλαστικά**

**μέρη.** Κάποια από αυτά είναι: βενζίνη, τετραχλωράνθρακας, χλωριωμένοι διαλύτες καθαρισμού, αμμωνία και οικιακά απορρυπαντικά που περιέχουν αμμωνία.

Οι ψύκτρες (καρβουνάκια) και ο διακόπτης στο εργαλείο σας έχουν σχεδιαστεί για πολλές ώρες αξιόπιστης λειτουργίας. Για να διατηρηθεί η μέγιστη απόδοση του κινητήρα, συνιστούμε κάθε δύο έως έξι μήνες να εξετάζονται οι ψύκτρες.

Αποθηκεύστε το εργαλείο, το χειρίδιο χρήσης και όποιο είναι απαραίτητο τα αξεσουάρ στη γνήσια συσκευασία. Με αυτό τον τρόπο θα έχετε πάντα όλη την πληροφορία και τα διάφορα μέρη στη διάθεσή σας.

### ⚠ ΠΡΟΣΟΧΗ:

*Απενεργοποιήστε το εργαλείο, αποσυνδέστε την από το ρεύμα και περιμένετε μέχρι να κρυώσει πριν από τον καθαρισμό ή τη συντήρηση για να αποφύγετε ηλεκτροπληξία ή εγκαύματα.*



**Να φοράτε προστατευτικά αυτιών**



**Να φοράτε προστατευτικά ματιών**



**Να φοράτε μάσκα για τη σκόνη**

## 6. Εγγύηση

Αυτό το εργαλείο έχει ελεγχθεί από τον κατασκευαστή. Από την ημερομηνία αγοράς από τον τελικό καταναλωτή, η εγγύηση δύο ετών για **ερασιτεχνική χρήση** καλύπτει κάθε ελαττωματικό υλικό και κατασκευή. Η απόδειξη ή το τιμολόγιο αγοράς πρέπει να επιδεικνύεται σε περίπτωση επισκευής που καλύπτεται από την εγγύηση. Για πιθανές βλάβες κατά τη διάρκεια της περιόδου εγγύησης, θα πρέπει να απευθυνθείτε στο κατάστημα λιανικής πώλησης από το οποίο πραγματοποιήθηκε η αγορά.

### Όροι εγγύησης

Η εγγύηση ισχύει μόνο όταν:

- Το εργαλείο έχει χρησιμοποιηθεί σωστά και για τον σκοπό για τον οποίο αγοράστηκε.



- Το εργαλείο παρουσιάζει ένα πρόβλημα που οφείλεται σε ελαττωματικό υλικό και κατασκευή.
- Το εργαλείο αδυναμεί να εκτελέσει εργασίες σύμφωνα με τις τεχνικές προδιαγραφές που παρέχονται.

Δεν καλύπτονται από την εγγύηση ζημιές που οφείλονται σε αιτίες όπως:

- Φθορά λόγω ακατάλληλης χρήσης.
- Μερική ή ολική αποσυναρμολόγηση. Η αποσυναρμολόγηση πρέπει να γίνεται μόνο από προσωπικό εξουσιοδοτημένο από τον επίσημο διανομέα.
- Ζημιές λόγω υπερφόρτωσης.
- Χρήση εσφαλμένου ή ασύμβατου εξαρτήματος.
- Κακή συντήρηση από τον χειριστή ή οποιοδήποτε άλλο τρίτο μέρος.
- Φθορά που προκλήθηκε από εξωτερικούς παράγοντες ή ξένα σωματίδια (σκόνη, μπάζα κ.λπ.)
- Φθορά λόγω μη συμμόρφωσης με τις οδηγίες αυτού του εγχειριδίου.

Εάν, κατά τη διάρκεια της περιόδου εγγύησης, υπάρχει ζημιά που δεν μπορεί να επισκευαστεί από το εξουσιοδοτημένο τμήμα σέρβις, το εργαλείο θα αντικατασταθεί χωρίς πρόσθετο κόστος.

## 7. Επισκευή / Σέρβις

Σε περίπτωση ανάγκης για επισκευή μετά τη λήξη της περιόδου εγγύησης, θα δώσουμε την καλύτερη δυνατή προσοχή για την επιτυχή επιδιόρθωση του εργαλείου.

## 8. Περιβάλλον



Μην απορρίπτετε τις ηλεκτρικές μηχανές ως αστικά απόβλητα χωρίς διαλογή, χρησιμοποιήστε χωριστές εγκαταστάσεις συλλογής.

Επικοινωνήστε με τα συστήματα συλλογής τοπικής κυβέρνησης που είναι διαθέσιμα. Εάν τα ηλεκτρικά μηχανήματα απορρίπτονται σε χώρους υγειονομικής ταφής ή χωματερές, επικίνδυνες

ουσίες μπορεί να διαρρεύσουν στα υπόγεια ύδατα και να εισέλθουν στην τροφική αλυσίδα, βλάπτοντας την υγεία και την ευημερία.

Κατά την αντικατάσταση των παλαιών μηχανημάτων με καινούργια, ο έμπορος λιανικής θα χαρεί να πάρει πίσω το παλιό σας μηχανήμα για απόρριψη.

## 9. Δήλωση Συμμόρφωσης

### Εξουσιοδοτημένος Αντιπρόσωπος

#### ΠΑΠΑΔΕΑΣ Α.Ε.

Ηρώων 1912 4-6, 13671, Αχαρνάι, Ελλάδα

Δια της παρούσης δηλώνεται ότι:

Το **Ηλεκτρικό Περιστροφικό Τριβείο** με **ΚΩΔΙΚΟ: 9173** και διακριτικό τίτλο: **FL123** υπό την επωνυμία **KRAUSMANN** (Περιγραφή: Περιστροφικό τριβείο, τριβείο, με πρότυπα GS/CE/EMC, 230V-50Hz, 350W, ταχύτητα χωρίς φορτίο: 6000-13000 rpm, 125mm, καλώδιο 1.8m, καλώδιο VDE, με 1 χαρτί λείανσης, 1 δοχείο συγκέντρωσης σκόνης, σε έγχρωμο κουτί), είναι σχεδιασμένο σύμφωνα με τη διατάξεις των Οδηγιών 2006/42/EC, 2014/30/EU και σύμφωνα με τα ακόλουθα πρότυπα: EN62841-1:2015, EN 62841-2-4:2014, EN55014-1:2017/A11:2020, EN IEC 55014-1:2021, EN55014-2:2015, EN IEC 55014-2:2021, EN IEC 61000-3-2:2019, EN 61000-3-3:2013/A1:2019.

Έτος απόκτησης "CE" πιστοποίησης: 2021  
Ημερομηνία: 23 Δεκεμβρίου 2021



\* Τα αξεσουάρ και τα περιεχόμενα ενδέχεται να αλλάξουν από το εργοστάσιο παραγωγής χωρίς προειδοποίηση, σε αυτή την περίπτωση η εταιρεία δεν φέρει καμία ευθύνη.

**Notes / Σημειώσεις**

---

---

---

---

---

---

---

---

---

---

---

---

---

---

---

---

---

---

---

---

---

---

---

---

---

---

---

---

---

---



**KRAUSMANN**  
POWER TOOLS

**RELIABLE PERFORMANCE**

**9173**

[www.krausmann.gr](http://www.krausmann.gr)

