

9326

HOT AIR GUN

ΠΙΣΤΟΛΙ ΘΕΡΜΟΥ ΑΕΡΑ



Operation manual
Εγχειρίδιο χρήσης

EN | GR

fig 1

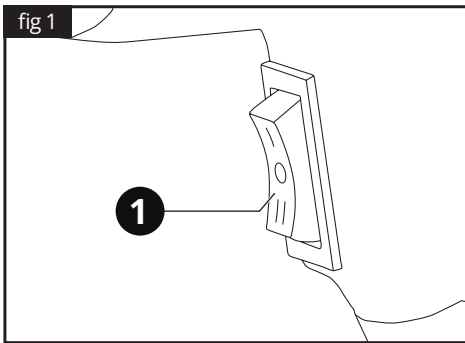


fig 2

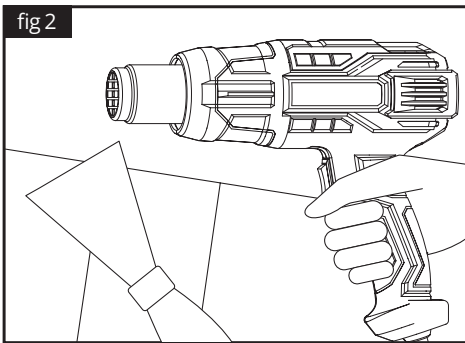


fig 3

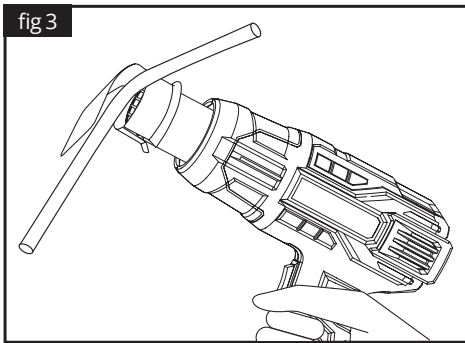
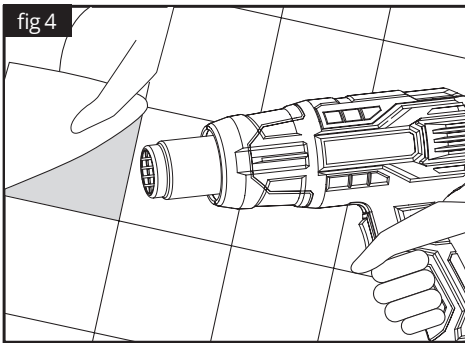
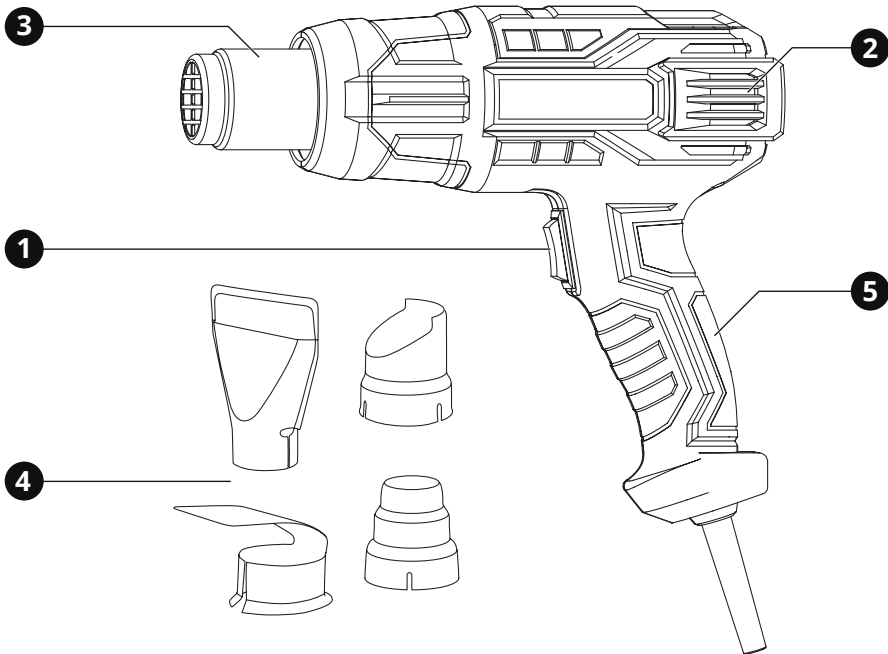


fig 4



ENGLISH | EN



1. Overview

Tool description

- 1 ON / OFF switch & Airflow adjustment
- 2 Ventilation opening
- 3 Nozzle
- 4 4 nozzle accessories
- 5 Handle

2. General safety regulations

⚠ WARNING:

Disconnect the plug from the power source before making any assembly, adjustments or changing accessories. Such preventative safety measures reduce the risk of starting the tool accidentally.

Read carefully and understand all instructions before using the tool.

When using power tools, the following instructions must be followed to prevent hazards such as electric shock, fire and/or serious injury.

Work area safety

- ▶ Keep work area clean and well lit. Cluttered benches and dark areas invite accidents.
- ▶ Do not operate power tools in explosive atmospheres, such as in the presence of flammable liquids, gases or dust. Power tools create sparks which may ignite the dust or fumes.
- ▶ Keep children and bystanders away while operating a power tool. Distractions can cause you to lose control.

Electrical safety

- ▶ Power tool plugs must match the outlet. Never modify the plug in any way. Do not use any adapter plugs with earthed (grounded) power tools. Unmodified plugs and matching outlets will reduce the risk of electric shock.
- ▶ Avoid body contact with earthed or grounded surfaces such as pipes, radiators, ranges and refrigerators. There is an increased risk of electric shock if your body is earthed or grounded.
- ▶ Do not expose power tools to rain or wet conditions. Water entering a power tool will increase the risk of electric shock.
- ▶ Do not abuse the cord. Never use the cord for carrying, pulling or unplugging the power tool. Keep cord away from heat, oil, sharp edges or moving parts. Damaged or entangled cords increase the risk of electric shock.
- ▶ When operating a power tool outdoors, use

an extension cord suitable for outdoor use. Use of a cord for outdoor use reduces the risk of electric shock.

Personal safety

- ▶ Stay alert, watch what you are doing and use common sense when operating a power tool. Do not use a power tool while you are tired or under the influence of drugs, alcohol or medication. A moment of distraction while operating power tools may result in serious personal injury.
- ▶ Use safety equipment. Always wear eye protection. Safety equipment such as dust mask, non-skid safety shoes, hard hat, or hearing protection used for appropriate conditions will reduce personal injuries.
- ▶ Avoid accidental starting. Ensure the switch is in the off-position before plugging in. Carrying power tools with your finger on the switch or plugging in power tools that have the switch on invites accidents.
- ▶ Remove any adjusting key or wrench before turning the power tool ON. A wrench or a key left attached to a rotating part of the power tool may result in personal injury.
- ▶ Do not overreach. Keep proper footing and balance at all times. This enables better control of the power tool in unexpected situations.
- ▶ Dress properly. Do not wear loose clothing or jewellery. Keep your hair, clothing and gloves away from moving parts. Loose clothes, jewellery or long hair can be caught in moving parts.
- ▶ If devices are provided for the connection of dust extraction and collection facilities, ensure these are connected and properly used. Use of these devices can reduce dust related hazards.

Power tool use and care

- ▶ Do not force the power tool. Use the correct power tool for your application. The correct power tool will do the job better and safer for the purpose for which it was designed.
- ▶ Do not use the power tool if the switch does not turn it ON and OFF. Any power tool that cannot be controlled with the switch is dangerous and must be repaired.

- ▶ Disconnect the plug from the power source before making any adjustments, changing accessories or storing power tools. Such preventative safety measures reduce the risk of starting the power tool accidentally.
- ▶ Store idle power tools out of the reach of children and do not allow persons unfamiliar with the power tool or these instructions to operate the power tool. Power tools are dangerous in the hands of untrained users.
- ▶ Maintain power tools, check for misalignment or binding of moving parts, breakage of parts and any other condition that may affect the power tools' operation. If damaged, have the power tool repaired before use. Many accidents are caused by poorly maintained power tools.
- ▶ Keep cutting tools sharp and clean. Properly maintained cutting tools with sharp cutting edges are less likely to bind and are easier to control.
- ▶ Use the power tool, accessories and tool bits etc., in accordance with these instructions and in the manner intended for the particular type of power tool, taking into account the working conditions and the work to be performed. Use of the power tool for operations different from intended could result in a hazardous situation.

Service

- ▶ Have your power tool serviced by a qualified repair person using only genuine replacement parts. This will ensure that the safety of the power tool is maintained.
- ▶ Follow instruction for lubricating and changing accessories.
- ▶ Keep handles dry, clean and free from oil and grease.

3. Specific safety regulations

DO NOT let comfort or familiarity with product (gained from repeated use) replace strict adherence to electric power tools' safety rules. If you use this tool unsafely or incorrectly, you can suffer serious personal injury.

- 1 Wear ear protectors. Exposure to noise can cause hearing loss.
- 2 Use auxiliary handles supplied with the tool. Loss of control can cause personal injury.
- 3 Hold power tools by insulated gripping surfaces when performing an operation where the cutting tool may contact hidden wiring or its own cord. Contact with a "live" wire will make exposed metal parts of the tool "live" and shock the operator.
- 4 Wear a hard hat (safety helmet), safety glasses and/or face shield. Ordinary eye or sun glasses are NOT safety glasses. It is also highly recommended that you wear a dust mask and thickly padded gloves.
- 5 Be sure the bit is secured in place before operation.
- 6 Under normal operation, the tool is designed to produce vibration. The screws can come loose easily, causing a breakdown or accident. Check tightness of screws carefully before operation.
- 7 In cold weather or when the tool has not been used for a long time, let the tool warm up for a while by operating it under no load. This will loosen up the lubrication.
- 8 Always be sure you have a firm footing. Be sure no one is below when using the tool in high locations.
- 9 Hold the tool firmly with both hands.
- 10 Keep hands away from moving parts.
- 11 Do not leave the tool running. Operate the tool only when hand-held.
- 12 Do not point the tool at any one in the area when operating. Parts could fly out and injure someone seriously.
- 13 Do not touch parts close to the bit immediately after operation; they may be extremely hot and could burn your skin.
- 14 Some material contains chemicals which may be toxic. Take caution to prevent dust inhalation and skin contact. Follow material supplier safety data.

Additional safety regulations for hot air guns

- The unit must not be damp and must also not be operated in damp surroundings.
- Before each use of the unit, check the cable and plug. If damage is detected, do not use the unit. Have repairs performed only by a qualified technician. Never open the unit yourself.
- Connect units that are used in the open via a residual current device (RCD) with an actuating current of 30 mA maximum. Do not operate the unit in rain or moisture.
- Do not carry or hang up the unit by the cable.
- Always direct the cable to the rear away from the unit.
- If the cable is damaged or cut through while working, do not touch the cable but immediately pull the power plug. Never use the unit with a damaged cable.
- Do not operate the unit unattended.
- During pauses in the work, when not in use or during work on the machine itself (e.g., changing of the working tools, repairs, cleaning, adjustment), pull the power plug.
- The strong heating effect (e.g. as result of careless handling) of this unit increases the danger of fire and explosion.
- When working with plastics, paints, lacquers and similar materials, combustible and poisonous gases can occur. Do not work in vicinity of easily combustible gases or materials.
- The heat can reach flammable parts that are located outside of the visible area.
- Do not point the unit for a long period at one spot.
- Danger of burning. Do not touch the hot nozzle. Wear protective gloves.
- Never direct the air stream at persons or animals.
- Never use the unit as a hair drier.
- The resulting restriction in the air flow can lead to overheating of the unit.
- Allow the unit to cool completely before storing. The hot nozzle can cause damage.
- Never allow children to use the unit.

SAVE THESE INSTRUCTIONS

⚠ WARNING:

Misuse or failure to follow the safety rules stated in this instruction manual may cause serious personal injury.

4. Functional description and specifications

Intended use

The hot air gun is intended for removal of paint and paint residues from wood, metal and synthetic materials, removal of self-adhesive labels, placement of PVC labels, fusion of synthetic materials (including PVC coated materials and sheets), application of pipes with shrinkage, repairing skiing and surfing boards, as well as similar equipment.

⚠ WARNING:

If the replacement of the supply cord is necessary, it has to be done by a professional to avoid a safety hazard.

Tool	9326
Power supply	230V-50Hz
Power input	2000W
<i>Max hot air temperature</i>	
Setting I	350 ° C
Setting II	600 ° C
<i>Max hot air supply</i>	
Setting I	300 L/min
Setting II	500 L/min
Weight	650 gr

Using the tool

Switching ON and OFF

To switch the tool on, press the ON / OFF switch **1** to I or II position. To switch the tool off, press the ON / OFF switch **1** to the OFF position (fig 1). After use, switch off and let the hot air gun stand to allow it cool down.

i NOTE:

To protect the air gun from other accidents and to cool down the hot air gun, before pulling the switch to OFF position, slide the switch to Lo speed, allowing the tool to work for about 15 minutes.

i CAUTION:

Install nozzle accessories that are suitable for this tool. Using defective or unsuitable nozzle accessories can cause heat to build up, damage the tool, and cause serious injury.

Thermo-protection switch off

When the hot air gun is overloaded (e.g. as a result of restricted air flow), the tool switches off automatically, however the blower continues to run. When the tool has cooled to operating temperature, the hot air gun is switched on again.

Setting the air flow and temperature

The switch can be set to two blower steps. Suitable air flow and temperature combinations can be selected depending on the applications.

Position	Airflow	Temperature
Lo	300 L/min	350° C
Hi	500 L/min	600° C

Assembly

i CAUTION:

Always ensure that the tool is switched off and plug is removed from the power point before making any adjustments.

Attaching & adjusting the nozzle accessories

The hot air gun you is equipped with four different nozzles depending on the work you want to perform: mirror, conical, wide, glass protection.

- Attach the nozzle accessory **4** to the nozzle **3** firmly and secure it to the tool. A possible drop of the nozzle on any surface can cause burns and fire.
- Allow the tool to cool completely before using or removing the nozzle accessory and use suitable tools. Contact with the hot nozzle accessory may cause burns.
- After removing the hot nozzle accessory, place it only on fireproof surfaces.

Operation

Removing paint

- The hot air gun will not burn the surface when removing paint.
- Soften the paint using the hot air gun and remove evenly using a spatula (fig 2). Some paint cannot be softened such as cement dope, lacker and mineral paint, do not clear them using the hot air gun.

i NOTE:

The softened paint can be removed easily, but never burn the surface. Some paint would bubble; always soften the paint that never bubbles. It's better to heat the paint equally up and down.

Shaping plastic tubing

When shaping plastic tubing, hold the hot air gun, keep the distance of 5 ~15 cm with the tubing. Heat the curving part of tubing, shaping the tubing when it's softened (fig 3).

Defrosting refrigerators

When defrosting refrigerators, defrost the ice around the heating metallic components. You can also defrost ice from stairs, locks, trunks, garage doors, pipes etc. For safety, switch off the hot air gun before taking the ice away by hand.

Disinfection

The hot air gun can also be used to disinfect from animal bacteria in stables as well as suppression of wood pests, e.g. woodworm. **Caution:** prolonged heating of wood can cause a fire.

Shrink packaging film

You can use the hot air gun to shrink packaging film. When heating, approach the packaging film from far and gradually reduce the distance, until the film shrinks to wrap tightly.

Replace floor tiles

The hot air gun can also use to replace tiles. Heat

the tile to soften the viscose, it takes some time. Heat the tiles up and down equally (fig 4).

Replace paint from window frames

The hot air gun can help remove paint from window frames, however be careful as the window glasses could crack after heating. It takes some time to heat and soften the paint.

Keep a fair distance (20 ~ 38 cm), do not take the hot air gun too close to the glasses. It is recommended to use a protective material (e.g. a piece of wood) to protect glasses from heating directly.

5. Maintenance

Correct and regular cleaning will improve the safety and extend the lifespan of the device.

For safe and proper working, always keep the tool and ventilation slots clean.

The tool may be cleaned most effectively with compressed dry air or with a soft cloth moistened with soapy water. **Always wear safety goggles when cleaning tools with compressed air.**

Certain cleaning agents and solvents damage plastic parts. Some of these are: gasoline, carbon tetrachloride, chlorinated cleaning solvents, ammonia and household detergents that contain ammonia.

The brushes and commutator in your tool have been engineered for many hours of dependable service. To maintain peak efficiency of the motor, we recommend every two to six months the brushes be examined.

Store the tool, operating instructions and where necessary the accessories in the original packaging. In this way you will always have all the information and parts ready to hand.

⚠ WARNING:

Turn the device off, disconnect it from the mains and wait until it cools down before cleaning or maintenance to avoid electric shock or burn.



Wear ear defenders



Wear safety goggles



Wear a dust mask

6. Warranty

This tool has been checked by the manufacturer. From the date of purchase by the final consumer, a two year warranty for **amateur use** covers any faulty material and manufacturing. The receipt or invoice of purchase needs to be displayed in case of a repair that is covered by the warranty. For possible faults during the warranty period, you should address your issue to the retail shop from which the purchase was made.

Terms of warranty

The warranty is valid only when:

- The tool has been used properly and for the purpose for which it was purchased.
- The tool presents a problem that is due to faulty material and manufacturing.
- Incapability of the tool to perform according to the technical specs provided.

Damages are not covered by the warranty that are due to causes such as:

- Wear due to improper use.
- Partial or total disassembly. The tool's shell must be disassembled only by personnel authorised by the official distributor.
- Damage due to overloading.
- Usage of incorrect or incompatible accessory.
- Bad maintenance from the operator or any other third party.
- Wear that was induced by external factors or rogue particles (dust, debris etc.)
- Wear due to non compliance with the instructions in this manual.

If, during the warranty period, there is a fault that can not be repaired from the authorised service

department, the tool will be replaced without any extra cost.

7. Repair / Servicing

In case there is a need for a repair after the warranty period has expired, we will provide the best possible attention to repair the tool successfully.

8. Disposal



Do not dispose of electrical machines as unsorted municipal waste, use separate collection facilities.

Contact your local government collection systems for information regarding the collection systems available.

If electrical machines are disposed of in landfills or dumps, hazardous substances can leak into the groundwater and get into the food chain, damaging your health and well-being. When replacing old machines with new ones, the retailer will be happy to take back your old machine for disposal.

9. Declaration of Conformity

Authorized Representative

PAPADEAS S.A.

4-6 Iroon 1912 St., 13671, Acharne, Greece

Herewith declares that:

The **Heat Gun** with **CODE: 9326** and distinctive title: **HZ-HG8-E202** under the brand **KRAUSMANN** (Description: Heat gun, 230V-50Hz, 2000W, GS/CE/EMC standard in CB, in color box packing), is designed in conformity with provision of the Directives 2014/30/EU, 2014/35/EU and the following manufacturing standards: EN 60335-1:2012+AC:2014+A11:2014+A13:2017+A1:2019+A14:2019+A2:2019, EN 60335-2-45:2002+A1:2008+A2:2012, EN 62233:2008, AfPS GS 2014:01 PAK, EN 55014-1:2017, EN 55014-2:2015, EN 61000-3-2:2014, EN 61000-3-3:2013.

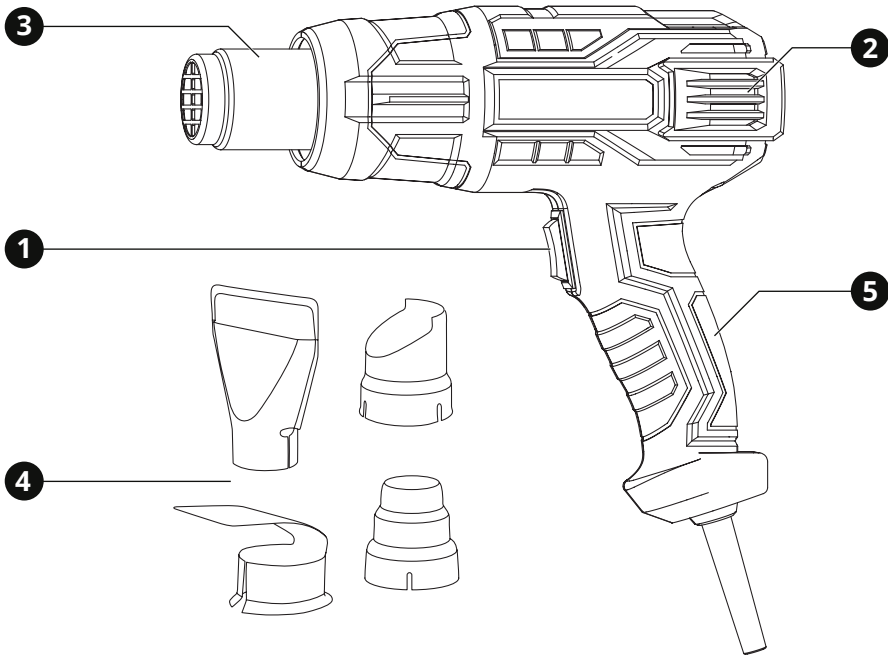
Year in which "CE" marking was affixed: 2021

Date: January 4st, 2021



** Accessories and contents may change from the production factory without any warnings, in that case the company bears no responsibility.*

ΕΛΛΗΝΙΚΑ | GR



1. Επισκόπηση

Περιγραφή Εργαλείου

- 1 Διακόπτης ON / OFF & Ρύθμιση αέρα
- 2 Υποδοχή εξαερισμού
- 3 Ακροφύσιο
- 4 4 αξεσουάρ ακροφυσίου
- 5 Χειρολαβή

2. Γενικές οδηγίες ασφαλείας

⚠ ΠΡΟΣΟΧΗ:

Αποσυνδέστε το φως από την πρίζα πριν προχωρήσετε σε συναρμολόγηση, παραμετροποιήσεις ή αλλαγή αξεσουάρ.

Τέτοια προληπτικά μέτρα ασφάλειας μειώνουν τον κίνδυνο ακούσιας εκκίνησης του εργαλείου.

Διαβάστε προσεκτικά και τηρήστε αυτές τις οδηγίες πριν τη χρήση του εργαλείου.

Όταν χρησιμοποιείτε ηλεκτρικά εργαλεία, οι ακόλουθες οδηγίες πρέπει να τηρούνται για τη πρόληψη κινδύνου ηλεκτροπληξίας, προσωπικού τραυματισμού και πυρκαγιάς.

Ασφάλεια χώρου εργασίας

- ▶ Διατηρείτε το χώρο εργασίας καθαρό και καλά φωτισμένο. Οι βρώμικοι χώροι και οι σκοτεινοί πάγκοι εργασίας κρύβουν κινδύνους.
- ▶ Μη λειτουργείτε ηλεκτρικά εργαλεία στη βροχή ή σε υγρά μέρη. Μη χρησιμοποιείτε τα ηλεκτρικά εργαλεία κοντά σε εύφλεκτα υγρά ή αέρια. Τα ηλεκτρικά εργαλεία δημιουργούν σπινθήρες που μπορεί να αναφλέξουν τη σκόνη ή τις αναθυμιάσεις.
- ▶ Κρατήστε τους επισκέπτες και τα παιδιά μακριά ενώ λειτουργείτε ένα ηλεκτρικό εργαλείο. Κάθε απόσπαση της προσοχής σας μπορεί να προκαλέσει απώλεια ελέγχου του εργαλείου και να προκαλέσει ατύχημα.

Ασφάλεια ηλεκτρισμού

- ▶ Τα φως των ηλεκτρικών εργαλείων πρέπει να ταιριάζουν με τις πρίζες. Ποτέ μην τροποποιείτε την πρίζα με οποιοδήποτε τρόπο. Μη χρησιμοποιείτε μετατροπείς πρίζας με γειωμένα ηλεκτρικά εργαλεία. Οι πρίζες που δεν έχουν τροποποιηθεί και που ταιριάζουν στο φως θα μειώσουν τον κίνδυνο ηλεκτροπληξίας.
- ▶ Αποφεύγετε σωματική επαφή με γειωμένες επιφάνειες όπως σωλήνες, καλωριφέρ, ψυγεία. Υπάρχει αυξημένος κίνδυνος ηλεκτροπληξίας αν το σώμα σας είναι γειωμένο.

- ▶ Μην εκθέτετε ηλεκτρικά εργαλεία σε συνθήκες βροχής ή σε υγρά. Το νερό που εισέρχεται σε ένα ηλεκτρικό εργαλείο θα αυξήσει τον κίνδυνο ηλεκτροπληξίας.
- ▶ Μην κακομεταχειρίζεστε το καλώδιο. Ποτέ μη χρησιμοποιείτε το καλώδιο για να μεταφέρετε το εργαλείο ή για να το αποσυνδέσετε από την πρίζα τραβώντας το. Φυλάξτε το καλώδιο μακριά από τη ζέστη, το λάδι, κοφτερές επιφάνειες και κινούμενα μέρη. Τα φθαρμένα ή μπερδεμένα καλώδια αυξάνουν τον κίνδυνο ηλεκτροπληξίας.
- ▶ Όταν χρησιμοποιείτε το εργαλείο σε εξωτερικούς χώρους, να χρησιμοποιείτε μόνο προεκτάσεις καλωδίων που είναι κατάλληλες για αντίστοιχη χρήση. Η χρήση ενός τέτοιου καλωδίου μειώνει τον κίνδυνο ηλεκτροπληξίας.

Προσωπική ασφάλεια

- ▶ Να είστε σε επαγρύπνηση, να προσέχετε τι κάνετε και να χρησιμοποιείτε τη κοινή λογική όταν χρησιμοποιείτε ένα ηλεκτρικό εργαλείο. Μη χρησιμοποιείτε το εργαλείο όταν είστε κουρασμένος ή υπό την επήρεια ναρκωτικών, αλκοόλ ή φαρμακευτικής αγωγής. Μια στιγμή απροσεξίας μπορεί να προκαλέσει σοβαρό προσωπικό τραυματισμό.
- ▶ Χρησιμοποιείτε εξοπλισμό ασφαλείας. Πάντα να φοράτε προστασία για τα μάτια σας. Η χρήση κατάλληλου εξοπλισμού ασφαλείας για τις εκάστοτε συνθήκες εργασίας όπως μάσκα σκόνης, αντιολισθητικά παπούτσια ασφαλείας, κράνος προστασίας ή ωτοασπίδες θα μειώσει τον κίνδυνο προσωπικού τραυματισμού.
- ▶ Αποφύγετε ακούσια εκκίνηση του εργαλείου. Βεβαιωθείτε ότι ο διακόπτης είναι στη θέση OFF πριν το συνδέσετε στην πρίζα. Η μεταφορά εργαλείων που είναι συνδεδεμένα στην πρίζα με το δάκτυλο στο διακόπτη μπορεί να προκαλέσει ατύχημα.
- ▶ Αφαιρέστε τα εργαλεία και κλειδιά ρύθμισης πριν εκκινήσετε το εργαλείο. Αν έχει ξεχαστεί ένα τέτοιο εξάρτημα σε ένα περιστρεφόμενο μέρος του εργαλείου, μπορεί να προκαλέσει προσωπικό τραυματισμό.

- ▶ Μην υπερβάλλετε τεντώνοντας τα σωματικά σας μέρη. Διατηρείστε τη σωστή θέση των ποδιών σας και την ισορροπία σας ανά πάσα στιγμή. Έτσι θα έχετε καλύτερο έλεγχο του ηλεκτρικού εργαλείου σε αναπάντεχες καταστάσεις.
- ▶ Ντυθείτε κατάλληλα. Μη φοράτε χαλαρά ρούχα ή κοσμήματα. Κρατείστε τα μαλλιά, ρούχα και γάντια σας μακριά από κινούμενα μέρη. Τα χαλαρά ρούχα, κοσμήματα ή μακριά μαλλιά ενδέχεται να πιαστούν σε κινούμενα μέρη.
- ▶ Αν παρέχονται εξαρτήματα για εξαγωγή και περισυλλογή σκόνης, βεβαιωθείτε ότι είναι συνδεδεμένα και χρησιμοποιούνται σωστά. Η χρήση τέτοιων εξαρτημάτων μπορεί να μειώσουν κινδύνους που σχετίζονται με τη σκόνη.

Χρήση και φροντίδα του ηλεκτρικού εργαλείου

- ▶ Μη ζορίζετε το ηλεκτρικό εργαλείο. Χρησιμοποιείστε το κατάλληλο ηλεκτρικό εργαλείο για την κάθε ανάγκη. Το κατάλληλο εργαλείο θα φέρει εις πέρας την εργασία με μεγαλύτερη επιτυχία και ασφάλεια, όταν χρησιμοποιείται για το σκοπό που έχει κατασκευαστεί.
- ▶ Μη χρησιμοποιείτε το ηλεκτρικό εργαλείο αν ο διακόπτης δε γυρνάει στη θέση ON και OFF. Οποιοδήποτε ηλεκτρικό εργαλείο που δεν μπορεί να λειτουργήσει με το διακόπτη είναι επικίνδυνο και πρέπει να επισκευαστεί.
- ▶ Να βγάζετε το φως από την πρίζα πριν προχωρήσετε σε αλλαγές των αξεσουάρ ή σε αποθήκευση. Τέτοια προληπτικά μέτρα ασφαλείας μειώνουν τον κίνδυνο ακούσιας εκκίνησης του εργαλείου.
- ▶ Αποθηκεύστε τα εκτός λειτουργίας ηλεκτρικά εργαλεία σε χώρο που δεν είναι προσιτός σε παιδιά και μην επιτρέπτε να τα λειτουργήσουν άτομα που δεν έχουν την κατάλληλη γνώση ή δεν έχουν διαβάσει το εγχειρίδιο χρήσης. Τα ηλεκτρικά εργαλεία είναι επικίνδυνα στα χέρια μη εκπαιδευμένων ατόμων.
- ▶ Συντηρείστε τα ηλεκτρικά εργαλεία, ελέγξτε την ευθυγράμμιση ή εμπλοκή των κινούμενων τμημάτων, τυχόν ρωγμές

τμημάτων, σύνδεση και κάθε άλλη συνθήκη που μπορεί να το καταστήσει επικίνδυνο και να επηρεάσει τη λειτουργία του. Αν έχει υποστεί ζημιά, πρέπει να επισκευαστεί κατάλληλα από ένα εξουσιοδοτημένο σέρβις πριν χρησιμοποιηθεί. Πολλά ατυχήματα μπορούν να συμβούν από ηλεκτρικά εργαλεία που δεν έχουν συντηρηθεί κατάλληλα.

- ▶ Διατηρείστε τα εργαλεία κοφτερά και καθαρά. Τα εργαλεία κοπής που είναι σωστά διατηρημένα και έχουν κοφτερές άκρες είναι λιγότερο πιθανό να χαλάσουν και είναι πιο εύκολα στον έλεγχο.
- ▶ Χρησιμοποιείτε το ηλεκτρικό εργαλείο, τα αξεσουάρ, τα εξαρτήματα κ.λπ. σύμφωνα με αυτές τις οδηγίες και με τον κατάλληλο τρόπο για το συγκεκριμένο τύπο του ηλεκτρικού εργαλείου, λαμβάνοντας υπόψη τις συνθήκες και την εργασία που πρέπει να πραγματοποιηθεί. Η χρήση του εργαλείου για σκοπούς διαφορετικούς από αυτούς για τους οποίους προορίζεται μπορεί να προκαλέσουν μια επικίνδυνη κατάσταση.

Επισκευή / Σέρβις

- ▶ Δώστε το εργαλείο σας να επισκευαστεί από έναν εξειδικευμένο ειδικό, χρησιμοποιώντας μόνο γνήσια ανταλλακτικά. Αυτό θα εξασφαλίσει τη διατήρηση της ασφάλειας του ηλεκτρικού εργαλείου.
- ▶ Ακολουθείστε τις οδηγίες για τη λίπανση και την αλλαγή των αξεσουάρ.
- ▶ Διατηρείστε τις λαβές στεγνές, καθαρές και χωρίς την ύπαρξη λαδιού και γράσου.

3. Ειδικές οδηγίες ασφαλείας

ΜΗΝ αφήνετε την άνεση και την εξοικείωση με το προϊόν (που αποκτήθηκε από εκτεταμένη χρήση) να αντικαταστήσει την αυστηρή συμμόρφωση με τους κανόνες ασφαλείας των ηλεκτρικών εργαλείων. Αν χρησιμοποιείτε αυτό το εργαλείο με λάθος τρόπο και χωρίς ασφάλεια, μπορεί να υποστείτε κάποιο σοβαρό προσωπικό τραυματισμό.

- 1 Na φοράτε προστατευτικά αυτιών. Η έκθεση σε θόρυβο μπορεί να προκαλέσει απώλεια ακοής.
- 2 Na χρησιμοποιείτε το εργαλείο από τη λαβή του. Η απώλεια ελέγχου μπορεί να προκαλέσει προσωπικό τραυματισμό.
- 3 Όταν πραγματοποιείτε εργασίες όπου το εργαλείο μπορεί να έρθει σε επαφή με κρυφή καλωδίωση ή με το ίδιο το καλώδιο, κρατείστε το εργαλείο με μονωμένες επιφάνειες που παρέχουν τριβή. Η επαφή με ένα γυμνό καλώδιο που φέρει ρεύμα θα καταστήσει ηλεκτροφόρα τα εκτεθειμένα μεταλλικά μέρη του εργαλείου και θα προκαλέσει ηλεκτροπληξία στο χειριστή.
- 4 Na φοράτε κράνος προστασίας, γυαλιά προστασίας και / ή μάσκα προσώπου. Τα κανονικά γυαλιά ή γυαλιά ηλίου ΔΕΝ αποτελούν είδη ασφαλείας. Επίσης συνιστάται να φοράτε μάσκα σκόνης και χοντρά μονωμένα γάντια.
- 5 Βεβαιωθείτε ότι τα αξεσουάρ είναι ασφαλισμένα στη θέση πριν ξεκινήσετε τη λειτουργία του εργαλείου.
- 6 Υπό κανονικές συνθήκες, το εργαλείο είναι σχεδιασμένο να παράγει δονήσεις. Οι βίδες μπορούν εύκολα να χαλαρώσουν, προκαλώντας ζημιά ή ατύχημα. Να ελέγχετε προσεκτικά ότι οι βίδες είναι σφιγμένες πριν τη χρήση.
- 7 Σε κρύο καιρό ή όταν το εργαλείο δεν έχει χρησιμοποιηθεί για αρκετό καιρό, αφήστε το να ζεσταθεί για λίγο λειτουργώντας το σε συνθήκες μηδενικής πίεσης. Με αυτό τον τρόπο θα χαλαρώσει η λίπανση.
- 8 Πάντα να είστε σίγουροι ότι πατάτε γερά στα πόδια σας. Σιγουρευτείτε ότι δεν υπάρχει κάποιος από κάτω όταν χρησιμοποιείτε το εργαλείο σε υψηλές τοποθεσίες.
- 9 Κρατείστε το εργαλείο γερά και με τα δυο σας χέρια.
- 10 Κρατείστε τα χέρια σας μακριά από κινούμενα μέρη.
- 11 Μην αφήνετε το εργαλείο σε λειτουργία. Να το λειτουργείτε μόνο όταν το έχετε στα χέρια σας.
- 12 Μην σημαδεύετε το εργαλείο προς οποιονδήποτε στην περιοχή λειτουργίας.

Κάποιο εξάρτημα ίσως αποκολληθεί με αποτέλεσμα να προκαλέσει σοβαρό τραυματισμό.

- 13 Μην αγγίζετε τα εξαρτήματα κοντά στα κινούμενα μέρη αμέσως μετά τη λειτουργία. Μπορεί τα μέρη του εργαλείου να είναι πολύ ζεστά και να προκαλέσουν εγκαύματα.
- 14 Κάποια υλικά περιέχουν χημικά που μπορεί να είναι τοξικά. Λάβετε μέτρα για να αποφύγετε εισπνοή σκόνης και επαφή με το δέρμα. Ακολουθείστε τις οδηγίες ασφαλείας του παρόχου των υλικών.

Πρόσθετες οδηγίες ασφαλείας ειδικά για πιστόλια θερμού αέρα

- Η μονάδα δεν πρέπει να είναι υγρή και δεν πρέπει επίσης να λειτουργεί σε υγρό περιβάλλον.
- Πριν από κάθε χρήση της μονάδας, ελέγξτε το καλώδιο και το βύσμα. Εάν εντοπιστεί ζημιά, μην χρησιμοποιείτε τη μονάδα. Πραγματοποιήστε επισκευές μόνο από εξειδικευμένο τεχνικό. Μην ανοίγετε ποτέ τη μονάδα μόνοι σας.
- Συνδέστε μονάδες που χρησιμοποιούνται στο ύπαιθρο μέσω συσκευής υπολειπόμενου ρεύματος (RCD) με ρεύμα ενεργοποίησης το πολύ 30 mA. Μην χρησιμοποιείτε τη μονάδα σε βροχή ή υγρασία.
- Μην μεταφέρετε ή μην κρεμάτε τη μονάδα από το καλώδιο.
- Πάντα κατευθύνετε το καλώδιο προς τα πίσω μακριά από τη μονάδα.
- Εάν το καλώδιο είναι κατεστραμμένο ή κομμένο κατά τη διάρκεια της εργασίας, μην αγγίζετε το καλώδιο αλλά τραβήξτε αμέσως το φιν από την πρίζα. Μην χρησιμοποιείτε ποτέ τη μονάδα με κατεστραμμένο καλώδιο.
- Μην λειτουργείτε τη μονάδα χωρίς επίβλεψη.
- Κατά τη διάρκεια παύσεων στην εργασία, όταν δεν χρησιμοποιείται ή κατά τη διάρκεια της εργασίας στο ίδιο το μηχανήμα (π.χ. αλλαγή των εργαλείων εργασίας, επισκευές, καθαρισμός, ρύθμιση), τραβήξτε το φιν από την πρίζα.
- Το ισχυρό φαινόμενο θέρμανσης (π.χ. ως αποτέλεσμα απρόσεκτου χειρισμού) αυτής

της μονάδας αυξάνει τον κίνδυνο πυρκαγιάς και έκρηξης.

- Όταν εργάζεστε με πλαστικά, χρώματα, λάκες και παρόμοια υλικά, ενδέχεται να προκληθούν εύφλεκτα και δηλητηριώδη αέρια. Μην εργάζεστε κοντά σε εύφλεκτα αέρια ή υλικά.
- Η θερμοότητα μπορεί να φτάσει εύφλεκτα μέρη που βρίσκονται έξω από την ορατή περιοχή.
- Μην τοποθετείτε τη μονάδα για μεγάλο χρονικό διάστημα σε ένα σημείο.
- Κίνδυνος εγκαύματος. Μην αγγίζετε το ζεστό ακροφύσιο. Φοράτε προστατευτικά γάντια.
- Ποτέ μην κατευθύνετε τη ροή του αέρα σε άτομα ή ζώα.
- Ποτέ μην χρησιμοποιείτε τη μονάδα ως στεγνωτήρα μαλλιών.
- Ο προκύπτων περιορισμός στη ροή του αέρα μπορεί να οδηγήσει σε υπερθέρμανση της μονάδας.
- Αφήστε τη συσκευή να κρυώσει εντελώς πριν την αποθήκευση. Το καυτό ακροφύσιο μπορεί να προκαλέσει ζημιά.
- Ποτέ μην επιτρέπετε στα παιδιά να χρησιμοποιούν τη μονάδα.

ΑΠΟΘΗΚΕΥΣΤΕ ΑΥΤΟ ΤΟ ΕΓΧΕΙΡΙΔΙΟ ΧΡΗΣΗΣ

⚠ ΠΡΟΣΟΧΗ:

Κατάχρηση ή μη τήρηση των οδηγιών ασφαλείας που αναγράφονται σε αυτό το εγχειρίδιο χρήσης μπορεί να προκαλέσουν σοβαρό προσωπικό τραυματισμό.

4. Περιγραφή λειτουργιών και προδιαγραφών

Προβλεπόμενη χρήση

Το πιστόλι θερμού αέρα προορίζεται για την αφαίρεση υπολειμμάτων χρωμάτων και χρωμάτων από ξύλο, μέταλλο και συνθετικά υλικά, αφαίρεση αυτοκόλλητων ετικετών, τοποθέτηση ετικετών PVC, σύντηξη συνθετικών υλικών (συμπεριλαμβανομένων υλικών και φύλλων με επικάλυψη από PVC), εφαρμογή σωλήνων με συρρίκνωση, επισκευή σανίδων σκι και σέρφ, καθώς και παρόμοιου εξοπλισμού.

⚠ ΠΡΟΣΟΧΗ:

Αν είναι απαραίτητη η αντικατάσταση του καλωδίου παροχής ρεύματος, τότε πρέπει να γίνει από έναν επαγγελματία ώστε να αποφευχθεί κίνδυνος ασφαλείας.

Εργαλείο	9326
Τάση λειτουργίας	230V~50Hz
Ισχύς εισόδου	2000W
<i>Μέγ. θερμοκρασία θερμού αέρα</i>	
Ρύθμιση I	350 °C
Ρύθμιση II	600 °C
<i>Μέγ. παροχή θερμού αέρα</i>	
Ρύθμιση I	300 L/min
Ρύθμιση II	500 L/min
Βάρος	650 gr

Χρήση του εργαλείου

Ενεργοποίηση και απενεργοποίηση του εργαλείου

Για να ενεργοποιήσετε το εργαλείο, πατήστε το διακόπτη ON / OFF **1** στη θέση I ή II. Για να απενεργοποιήσετε το εργαλείο, πατήστε το διακόπτη ON / OFF **1** θέση OFF (fig 1). Μετά τη χρήση, απενεργοποιήστε και αφήστε το πιστόλι θερμού αέρα να κρυώσει.

ⓘ ΣΗΜΕΙΩΣΗ:

Για να προστατεύσετε το πιστόλι θερμού αέρα από άλλα ατυχήματα και να το κρυώσετε, πριν σύρετε το διακόπτη στη θέση OFF, σύρετε το διακόπτη στην ταχύτητα Lo, επιτρέποντας στο εργαλείο να λειτουργήσει για περίπου 15 λεπτά.

Απενεργοποίηση θερμο-προστασίας

Όταν το πιστόλι θερμού αέρα υπερφορτώνεται (π.χ. ως αποτέλεσμα περιορισμένης ροής αέρα), το εργαλείο απενεργοποιείται αυτόματα, ωστόσο ο ανεμιστήρας συνεχίζει να λειτουργεί. Όταν το εργαλείο έχει κρυώσει σε θερμοκρασία λειτουργίας, το πιστόλι θερμού αέρα ενεργοποιείται ξανά.

Ρύθμιση ροής αέρα και θερμοκρασίας

Ο διακόπτης μπορεί να ρυθμιστεί σε δύο θέσεις λειτουργίας. Μπορούν να επιλεγούν κατάλληλοι συνδυασμοί ροής αέρα και θερμοκρασίας ανάλογα με τις εφαρμογές.

Θέση	Ροή αέρα	Θερμοκρασία
Lo	300 L/min	350 °C
Hi	500 L/min	600 °C

Συναρμολόγηση

❗ ΠΡΟΕΙΔΟΠΟΙΗΣΗ:

Πάντα βεβαιωθείτε ότι το εργαλείο είναι απενεργοποιημένο και ότι έχει βγει το φως από το σημείο τροφοδοσίας πριν κάνετε οποιοσδήποτε ρυθμίσεις.

Σύνδεση & ρύθμιση των αξεσουάρ ακροφυσίου

Το πιστόλι θερμού αέρα είναι εξοπλισμένο με τέσσερα διαφορετικά αξεσουάρ ακροφυσίου ανάλογα με την εργασία που θέλετε να εκτελέσετε: κατοπτρικό, κωνικός, πλατύ, προστασίας γυαλιού.

- Συνδέστε σταθερά το αξεσουάρ ακροφυσίων **4** στο ακροφύσιο **3** και ασφαλίστε το στο εργαλείο. Μια πιθανή επαφή του αξεσουάρ ακροφυσίου σε οποιαδήποτε επιφάνεια μπορεί να προκαλέσει εγκαύματα και φωτιά.
- Αφίρστε το εργαλείο να κρυώσει εντελώς πριν χρησιμοποιήσετε ή αφαιρέσετε το αξεσουάρ ακροφυσίου και χρησιμοποιήστε κατάλληλα εργαλεία. Η επαφή με το θερμό αξεσουάρ ακροφυσίου μπορεί να προκαλέσει εγκαύματα.
- Αφού αφαιρέσετε το θερμό αξεσουάρ ακροφυσίου, τοποθετήστε το μόνο σε πυρίμαχες επιφάνειες.

❗ ΠΡΟΕΙΔΟΠΟΙΗΣΗ:

Τοποθετήστε αξεσουάρ ακροφυσίου που είναι κατάλληλα για αυτό το εργαλείο. Η χρήση ελαττωματικών ή ακατάλληλων αξεσουάρ ακροφυσίου μπορεί να προκαλέσει συσσώρευση θερμότητας, ζημιά στο εργαλείο και σοβαρό τραυματισμό.

Λειτουργία

Αφαίρεση χρώματος

- Το πιστόλι θερμού αέρα δεν θα κάψει την επιφάνεια κατά την αφαίρεση χρώματος.
- Μαλακώστε το χρώμα χρησιμοποιώντας το πιστόλι θερμού αέρα και αφαιρέστε το ομοιόμορφα χρησιμοποιώντας μια σπάτουλα (fig 2). Μερικά χρώματα δεν μπορούν να μαλακώσουν όπως

τσιμεντοκονία, λακαριστά και μεταλλικά χρώματα, μην τα καθαρίσετε χρησιμοποιώντας το πιστόλι θερμού αέρα.

❗ ΣΗΜΕΙΩΣΗ:

Το μαλακό χρώμα μπορεί να αφαιρεθεί εύκολα, αλλά ποτέ να μην κάψει την επιφάνεια. Κάποιο χρώμα θα βγάλει φουσκάλες, μαλακώνετε πάντα το χρώμα που δεν βγάζει φουσκάλες. Είναι καλύτερα να θερμαίνετε το χρώμα ομοιόμορφα πάνω και κάτω.

Διαμόρφωση πλαστικών σωλήνων

Κατά τη διαμόρφωση πλαστικών σωλήνων, κρατήστε το πιστόλι θερμού αέρα και διατηρήστε μια απόσταση 5 - 15 cm από τη σωλήνωση. Θερμάνετε το κυρτό μέρος του σωλήνα, διαμορφώνοντας το σχήμα της σωλήνωσης όταν μαλακώσει (fig 3).

Απόψυξη ψυγείων

Κατά την απόψυξη των ψυγείων, ξεπαγώστε τον πάγο γύρω από τα μεταλλικά εξαρτήματα θέρμανσης. Μπορείτε επίσης να ξεπαγώσετε τον πάγο από σκάλες, κλειδαριές, κορμούς, γκαραζόπορτες, σωλήνες κ.λπ. Για ασφάλεια, απενεργοποιήστε το πιστόλι ζεστού αέρα πριν αφαιρέσετε τον πάγο με το χέρι.

Απολύμανση

Το πιστόλι θερμού αέρα μπορεί επίσης να χρησιμοποιηθεί για την απολύμανση ζωικών βακτηριδίων σε στάβλους, καθώς και για την καταστολή των παρασίτων ξύλου, π.χ. σαράκι. **Προσοχή:** η παρατεταμένη θέρμανση του ξύλου μπορεί να προκαλέσει πυρκαγιά.

Συρρικνωση μεμβρανών συσκευασίας

Μπορείτε να χρησιμοποιήσετε το πιστόλι θερμού αέρα για να συρρικνώσετε μεμβράνες συσκευασίας. Κατά τη θέρμανση, πλησιάστε τη μεμβράνη συσκευασίας από μακριά και σταδιακά μειώστε την απόσταση, έως ότου η μεμβράνη συρρικνωθεί ώστε να τυλίξει σφιχτά.

Αντικατάσταση πλακιδίων δαπέδου

Το πιστόλι θερμού αέρα μπορεί επίσης να χρησιμοποιηθεί για την αντικατάσταση πλακιδίων. Θερμάνετε το πλακίδιο για να μαλακώσετε τη βιοκόξη, χρειάζεται λίγος χρόνος. Θερμάνετε τα πλακίδια πάνω και κάτω ομοιόμορφα (fig 4).

Αφαίρεση χρώματος από κουφώματα παραθύρων

Το πιστόλι θερμού αέρα μπορεί να σας βοηθήσει να αφαιρέσετε το χρώμα από τα κουφώματα, ωστόσο να είστε προσεκτικοί καθώς τα τζάμια των παραθύρων ενδέχεται να σπάσουν μετά τη θέρμανση. Χρειάζεται λίγος χρόνος για να ζεσταθεί και να μαλακώσει το χρώμα.

Κρατήστε μια φυσιολογική απόσταση (20 ~ 38 cm), μην φέρετε το πιστόλι ζεστού αέρα πολύ κοντά στα τζάμια. Συνιστάται η χρήση προστατευτικού υλικού (π.χ. ένα κομμάτι ξύλου) για την προστασία των τζαμιών από τη απευθείας θέρμανση.

5. Συντήρηση

Ο σωστός και τακτικός καθαρισμός θα βελτιώσει την ασφάλεια και θα επεκτείνει τη διάρκεια ζωής του εργαλείου.

Για ασφαλή και σωστή εργασία, πάντα να κρατάτε καθαρές τις υποδοχές εξαερισμού και το ίδιο το εργαλείο σε καλή κατάσταση.

Το εργαλείο μπορεί να καθαριστεί αποτελεσματικά με ξηρό συμπιεσμένο αέρα ή με ένα μαλακό πανί βρεγμένο με σαπουνόνερο.

Πάντα να φοράτε προστατευτικά ματιών όταν καθαρίζετε τα εργαλεία με συμπιεσμένο αέρα.

Ορισμένα καθαριστικά μέσα και διαλύτες μπορεί να προκαλέσουν βλάβη σε πλαστικά μέρη. Κάποια από αυτά είναι: βενζίνη, τετραχλωράνθρακας, χλωριωμένοι διαλύτες καθαρισμού, αμμωνία και οικιακά απορρυπαντικά που περιέχουν αμμωνία.

Οι ψύκτρες (καρβονάκια) και ο διακόπτης στο εργαλείο σας έχουν σχεδιαστεί για πολλές ώρες αξιόπιστης λειτουργίας. Για να διατηρηθεί η μέγιστη απόδοση του κινητήρα, συνιστούμε κάθε δύο έως έξι μήνες να εξετάζονται οι ψύκτρες.

Αποθηκεύστε το εργαλείο, το γχειρίδιο χρήσης και όπου είναι απαραίτητο τα αξεσουάρ στη γνήσια συσκευασία. Με αυτό τον τρόπο θα έχετε πάντα όλη την πληροφορία και τα διάφορα μέρη στη διάθεσή σας.

⚠ ΠΡΟΣΟΧΗ:

Απενεργοποιήστε το εργαλείο, αποσυνδέστε την από το ρεύμα και περιμένετε μέχρι να κρυώσει πριν από τον καθαρισμό ή τη συντήρηση για να αποφύγετε ηλεκτροπληξία ή εγκαύματα.



Να φοράτε προστατευτικά αυτιών



Να φοράτε προστατευτικά ματιών



Να φοράτε μάσκα για τη σκόνη

6. Εγγύηση

Αυτό το εργαλείο έχει ελεγχθεί από τον κατασκευαστή. Από την ημερομηνία αγοράς από τον τελικό καταναλωτή, η εγγύηση δύο ετών για **ερασιτεχνική χρήση** καλύπτει κάθε ελαττωματικό υλικό και κατασκευή. Η απόδειξη ή το τιμολόγιο αγοράς πρέπει να επιδεικνύεται σε περίπτωση επισκευής που καλύπτεται από την εγγύηση. Για πιθανές βλάβες κατά τη διάρκεια της περιόδου εγγύησης, θα πρέπει να απευθυνθείτε στο κατάστημα λιανικής πώλησης από το οποίο πραγματοποιήθηκε η αγορά.

Όροι εγγύησης

Η εγγύηση ισχύει μόνο όταν:

- Το εργαλείο έχει χρησιμοποιηθεί σωστά και για τον σκοπό για τον οποίο αγοράστηκε.
- Το εργαλείο παρουσιάζει ένα πρόβλημα που οφείλεται σε ελαττωματικό υλικό και κατασκευή.
- Το εργαλείο αδυναμεί να εκτελέσει εργασίες σύμφωνα με τις τεχνικές προδιαγραφές που παρέχονται.

Δεν καλύπτονται από την εγγύηση ζημιές που οφείλονται σε αιτίες όπως:

- Φθορά λόγω ακατάλληλης χρήσης.
- Μερική ή ολική αποσυναρμολόγηση. Η αποσυναρμολόγηση πρέπει να γίνεται μόνο από προσωπικό εξουσιοδοτημένο από τον επίσημο διανομέα.
- Ζημιές λόγω υπερφόρτωσης.

- Χρήση εσφαλμένου ή ασύμβατου εξαρτήματος.
- Κακή συντήρηση από τον χειριστή ή οποιοδήποτε άλλο τρίτο μέρος.
- Φθορά που προκλήθηκε από εξωτερικούς παράγοντες ή ξένα σωματίδια (σκόνη, μπάζα κ.λπ.)
- Φθορά λόγω μη συμμόρφωσης με τις οδηγίες αυτού του εγχειριδίου.

Εάν, κατά τη διάρκεια της περιόδου εγγύησης, υπάρχει ζημιά που δεν μπορεί να επισκευαστεί από το εξουσιοδοτημένο τμήμα σέρβις, το εργαλείο θα αντικατασταθεί χωρίς πρόσθετο κόστος.

7. Επισκευή / Σέρβις

Σε περίπτωση ανάγκης για επισκευή μετά τη λήξη της περιόδου εγγύησης, θα δώσουμε την καλύτερη δυνατή προσοχή για την επιτυχή επιδιόρθωση του εργαλείου.

8. Περιβάλλον



Μην απορρίπτετε τις ηλεκτρικές μηχανές ως αστικά απόβλητα χωρίς διαλογή, χρησιμοποιήστε χωριστές εγκαταστάσεις συλλογής.

Επικοινωνήστε με τα συστήματα συλλογής τοπικής κυβέρνησης που είναι διαθέσιμα. Εάν τα ηλεκτρικά μηχανήματα απορρίπτονται σε χώρους υγειονομικής ταφής ή χλωματερές, επικίνδυνες ουσίες μπορεί να διαρρεύσουν στα υπόγεια ύδατα και να εισέλθουν στην τροφική αλυσίδα, βλάπτοντας την υγεία και την ευημερία.

Κατά την αντικατάσταση των παλαιών μηχανημάτων με καινούργια, ο έμπορος λιανικής θα χαρεί να πάρει πίσω το παλιό σας μηχανήμα για απόρριψη.

9. Δήλωση Συμμόρφωσης

Εξουσιοδοτημένος Αντιπρόσωπος

ΠΑΠΑΔΕΑΣ Α.Ε.

Ηρώων 1912 4-6, 13671, Αχαρνάι, Ελλάδα

Δια της παρούσης δηλώνεται ότι:

Το **Πιστόλι Θερμού αέρα** με **ΚΩΔΙΚΟ: 9326** και

διακριτικό τίτλο: **HZ-HG8-E202** υπό την επωνυμία **KRAUSMANN** (Περιγραφή: Πιστόλι θερμού αέρα, 230V-50Hz, 2000W, GS/CE/EMC πρότυπο σε CB, σε έγχρωμο κουτί), είναι σχεδιασμένο σύμφωνα με τις διατάξεις των Οδηγιών 2014/30/EU, 2014/35/EU και σύμφωνα με τα ακόλουθα πρότυπα: EN 60335-1:2012+AC:2014+A11:2014+A13:2017+A1:2019+A14:2019+A2:2019, EN 60335-2-45:2002+A1:2008+A2:2012, EN 62233:2008, AfPS GS 2014:01 PAK, EN 55014-1: 2017, EN 55014-2: 2015, EN 61000-3-2: 2014, EN 61000-3-3: 2013.

Έτος απόκτησης "CE" πιστοποίησης: 2021
Ημερομηνία: 4 Ιανουαρίου 2021



* Τα αξεσουάρ και τα περιεχόμενα ενδέχεται να αλλάξουν από το εργοστάσιο παραγωγής χωρίς προειδοποίηση, σε αυτή την περίπτωση η εταιρεία δεν φέρει καμία ευθύνη.

KRAUSMANN
POWER TOOLS

RELIABLE PERFORMANCE

9326

www.krausmann.gr

